

# LUNA2000-(215-2S10, 215-2S12) Smart String ESS

## User Manual

**Issue** 01  
**Date** 2024-07-31



**Copyright © Huawei Digital Power Technologies Co., Ltd. 2024. All rights reserved.**

No part of this document may be reproduced or transmitted in any form or by any means without prior written consent of Huawei Digital Power Technologies Co., Ltd.

## **Trademarks and Permissions**



HUAWEI and other Huawei trademarks are the property of Huawei Technologies Co., Ltd.

All other trademarks and trade names mentioned in this document are the property of their respective holders.

## **Notice**

The purchased products, services and features are stipulated by the contract made between Huawei Digital Power Technologies Co., Ltd. and the customer. All or part of the products, services and features described in this document may not be within the purchase scope or the usage scope. Unless otherwise specified in the contract, all statements, information, and recommendations in this document are provided "AS IS" without warranties, guarantees or representations of any kind, either express or implied. The information in this document is subject to change without notice. Every effort has been made in the preparation of this document to ensure accuracy of the contents, but all statements, information, and recommendations in this document do not constitute a warranty of any kind, express or implied.

## **Huawei Digital Power Technologies Co., Ltd.**

Address: Huawei Digital Power Antuoshan Headquarters  
Futian, Shenzhen 518043  
People's Republic of China

Website: <https://digitalpower.huawei.com>

# About This Document

## Purpose

This document describes the installation, electrical connections, commissioning, and troubleshooting of the LUNA2000-(215-2S10, 215-2S12) Smart String Energy Storage System (also referred to as ESS). Before installing and operating the ESS, read this document carefully to understand the safety information as well as functions and features of the ESS.





## Intended Audience


This document is intended for:

- Technical support engineers
- Installation engineers
- Commissioning engineers
- Maintenance engineers

## Symbol Conventions

The symbols that may be found in this document are defined as follows.

Symbol	Description
 <b>DANGER</b>	Indicates a hazard with a high level of risk which, if not avoided, will result in death or serious injury.
 <b>WARNING</b>	Indicates a hazard with a medium level of risk which, if not avoided, could result in death or serious injury.
 <b>CAUTION</b>	Indicates a hazard with a low level of risk which, if not avoided, could result in minor or moderate injury.
 <b>NOTICE</b>	Indicates a potentially hazardous situation which, if not avoided, could result in equipment damage, data loss, performance deterioration, or unanticipated results. NOTICE is used to address practices not related to personal injury.

Symbol	Description
 NOTE	Supplements the important information in the main text. NOTE is used to address information not related to personal injury, equipment damage, and environment deterioration.

## Change History

Changes between document issues are cumulative. The latest document issue contains all the changes made in earlier issues.

### Issue 01 (2024-07-31)

This issue is used for first office application (FOA).

---

# Contents

---

<b>About This Document.....</b>	<b>ii</b>
<b>1 Safety Information.....</b>	<b>1</b>
1.1 Personal Safety.....	2
1.2 Electrical Safety.....	4
1.3 Environment Requirements.....	7
1.4 Mechanical Safety.....	9
1.5 Equipment Safety.....	14
1.5.1 ESS Safety.....	14
1.5.2 Battery Safety.....	15
<b>2 Overview.....</b>	<b>21</b>
2.1 Model Description.....	21
2.2 Product Description.....	22
2.3 Appearance.....	23
2.4 Components.....	24
2.4.1 Power Supply and Distribution System.....	29
2.4.1.1 Power Supply and Distribution System Overview.....	30
2.4.1.2 PACK.....	30
2.4.1.3 PCS.....	33
2.4.1.4 RCM.....	34
2.4.2 Monitoring System.....	38
2.4.2.1 Monitoring System Overview.....	38
2.4.2.2 BCU.....	39
2.4.3 Environment Control System.....	40
2.4.3.1 Environment Control System Overview.....	41
2.4.3.2 LTMS.....	41
2.4.3.3 T/H Sensor.....	43
2.4.3.4 Door Status Sensor.....	44
2.4.3.5 Water Sensor.....	44
2.4.4 Thermal Runaway Suppression System.....	45
2.4.4.1 Thermal Runaway Suppression System Overview.....	46
2.4.4.2 TRSD (Optional).....	47
2.4.4.3 Aerosol Fire Suppression Device.....	48

2.4.4.4 Heat Detector (Optional).....	48
2.4.4.5 CO Sensor (Optional).....	49
2.4.4.6 Smoke Detector.....	50
2.4.4.7 Fire Alarm Horn/Strobe.....	51
2.4.4.8 Exhaust Fan (Optional).....	51
2.5 Working Principles.....	52
2.5.1 Circuit Diagram.....	52
2.5.2 ESS Status.....	52
2.6 Earthing Systems.....	53
<b>3 Transportation Requirements.....</b>	<b>54</b>
<b>4 Storage Requirements.....</b>	<b>56</b>
4.1 ESS Storage and Charging.....	56
4.2 Battery Storage and Single Battery Charge.....	60
4.3 RCM/PCS/LTMS Storage.....	65
4.4 Storage Requirements for Thermal Runaway Suppression System Equipment.....	66
<b>5 Site Requirements.....</b>	<b>67</b>
5.1 Site Selection Requirements.....	67
5.2 Clearance Requirements.....	70
5.3 Foundation Requirements.....	71
5.4 Forklift Requirements.....	71
5.5 Hoisting Requirements.....	71
<b>6 Installation.....</b>	<b>73</b>
6.1 Pre-installation Check.....	73
6.2 Preparing Tools.....	76
6.3 Installing the ESS.....	78
6.4 Installing Ground Cables.....	81
<b>7 Installing Cables.....</b>	<b>84</b>
7.1 Preparing Cables.....	85
7.2 Installing PCS Power Cables.....	87
7.3 Installing Cables for the Auxiliary Power Supply.....	88
7.4 (Optional) Installing UPS AC Input Power Cables.....	90
7.5 Installing Communications Cables.....	91
7.5.1 Installing an FE Communications Cable.....	91
7.5.2 Installing Optical Fiber Communications Cables.....	93
7.6 (Optional) Installing the SmartLogger.....	95
7.7 Installing PACK Cables.....	97
7.8 Follow-up Procedure.....	98
<b>8 Powering On the ESS.....</b>	<b>102</b>
8.1 Check Before Power-On.....	102
8.1.1 General Check.....	102

8.1.2 ESS Installation Check.....	103
8.2 Power-On Operations.....	104
<b>9 ESS Commissioning.....</b>	<b>107</b>
9.1 Commissioning Methods.....	107
9.2 Prerequisites.....	107
9.3 Commissioning the ESS (App).....	109
<b>10 Powering Off the ESS.....</b>	<b>110</b>
10.1 Powering Off the ESS.....	110
10.2 Power-Off Operations.....	110
<b>11 Technical Specifications.....</b>	<b>111</b>
<b>A Crimping an OT or DT Terminal.....</b>	<b>114</b>
<b>B How Do I Repair Paint Damage?.....</b>	<b>117</b>
<b>C Emergency Handling.....</b>	<b>122</b>
<b>D How Do I Recycle Used Batteries?.....</b>	<b>125</b>
<b>E Certificate Management and Maintenance.....</b>	<b>126</b>
<b>F Contact Information.....</b>	<b>128</b>
<b>G Digital Power Customer Service.....</b>	<b>130</b>
<b>H Acronyms and Abbreviations.....</b>	<b>131</b>

# 1 Safety Information

---

## Statement

**Before transporting, storing, installing, operating, using, and/or maintaining the equipment, read this document, strictly follow the instructions provided herein, and follow all the safety instructions on the equipment and in this document.** In this document, "equipment" refers to the products, software, components, spare parts, and/or services related to this document; "the Company" refers to the manufacturer (producer), seller, and/or service provider of the equipment; "you" refers to the entity that transports, stores, installs, operates, uses, and/or maintains the equipment.

The **Danger, Warning, Caution, and Notice** statements described in this document do not cover all the safety precautions. You also need to comply with relevant international, national, or regional standards and industry practices. **The Company shall not be liable for any consequences that may arise due to violations of safety requirements or safety standards concerning the design, production, and usage of the equipment.**

The equipment shall be used in an environment that meets the design specifications. Otherwise, the equipment may be faulty, malfunctioning, or damaged, which is not covered under the warranty. The Company shall not be liable for any property loss, personal injury, or even death caused thereby.

Comply with applicable laws, regulations, standards, and specifications during transportation, storage, installation, operation, use, and maintenance.

Do not perform reverse engineering, decompilation, disassembly, adaptation, implantation, or other derivative operations on the equipment software. Do not study the internal implementation logic of the equipment, obtain the source code of the equipment software, violate intellectual property rights, or disclose any of the performance test results of the equipment software.

**The Company shall not be liable for any of the following circumstances or their consequences:**

- The equipment is damaged due to force majeure such as earthquakes, floods, volcanic eruptions, debris flows, lightning strikes, fires, wars, armed conflicts, typhoons, hurricanes, tornadoes, and other extreme weather conditions.
- The equipment is operated beyond the conditions specified in this document.



- The equipment is installed or used in environments that do not comply with international, national, or regional standards.
- The equipment is installed or used by unqualified personnel.
- You fail to follow the operation instructions and safety precautions on the product and in the document.
- You remove or modify the product or modify the software code without authorization.
- You or a third party authorized by you cause the equipment damage during transportation.
- The equipment is damaged due to storage conditions that do not meet the requirements specified in the product document.
- You fail to prepare materials and tools that comply with local laws, regulations, and related standards.
- The equipment is damaged due to your or a third party's negligence, intentional breach, gross negligence, or improper operations, or other reasons not related to the Company.

## 1.1 Personal Safety

---

 **DANGER**

Ensure that power is off during installation. Do not install or remove a cable with power on. Transient contact between the core of the cable and the conductor will cause electric arcs, sparks, fire, or explosion, which may result in personal injury.

---

---

 **DANGER**

Non-standard and improper operations on the energized equipment may cause fire, electric shocks, or explosion, resulting in property damage, personal injury, or even death.

---

---

 **DANGER**

Before operations, remove conductive objects such as watches, bracelets, bangles, rings, and necklaces to prevent electric shocks.

---

---

 **DANGER**

During operations, use dedicated insulated tools to prevent electric shocks or short circuits. The dielectric withstanding voltage level must comply with local laws, regulations, standards, and specifications.

---

---

 **WARNING**

During operations, wear personal protective equipment such as protective clothing, insulated shoes, goggles, safety helmets, and insulated gloves.

---

## General Requirements

- Do not stop protective devices. Pay attention to the warnings, cautions, and related precautionary measures in this document and on the equipment.
- If there is a likelihood of personal injury or equipment damage during operations, immediately stop, report the case to the supervisor, and take feasible protective measures.
- Do not power on the equipment before it is installed or confirmed by professionals.
- Do not touch the power supply equipment directly or with conductors such as damp objects. Before touching any conductor surface or terminal, measure the voltage at the contact point to ensure that there is no risk of electric shock.
- Do not touch operating equipment because the enclosure is hot.
- Do not touch a running fan with your hands, components, screws, tools, or boards. Otherwise, personal injury or equipment damage may occur.
- In the case of a fire, immediately leave the building or the equipment area and activate the fire alarm or call emergency services. Do not enter the affected building or equipment area under any circumstances.

## Personnel Requirements

- Only professionals and trained personnel are allowed to operate the equipment.
  - Professionals: personnel who are familiar with the working principles and structure of the equipment, trained or experienced in equipment operations and are clear of the sources and degree of various potential hazards in equipment installation, operation, maintenance
  - Trained personnel: personnel who are trained in technology and safety, have required experience, are aware of possible hazards on themselves in certain operations, and are able to take protective measures to minimize the hazards on themselves and other people
- Personnel who plan to install or maintain the equipment must receive adequate training, be able to correctly perform all operations, and understand all necessary safety precautions and local relevant standards.
- Only qualified professionals or trained personnel are allowed to install, operate, and maintain the equipment.
- Only qualified professionals are allowed to remove safety facilities and inspect the equipment.
- Personnel who will perform special tasks such as electrical operations, working at heights, and operations of special equipment must possess the required local qualifications.
- Only certified high-voltage electricians are allowed to operate medium-voltage equipment.

- Only authorized professionals are allowed to replace the equipment or components (including software).
- Only personnel who need to work on the equipment are allowed to access the equipment.

## 1.2 Electrical Safety

---

 **DANGER**

Before connecting cables, ensure that the equipment is intact. Otherwise, electric shocks or fire may occur.

---

---

 **DANGER**

Non-standard and improper operations may result in fire or electric shocks.

---

---

 **DANGER**

Prevent foreign matter from entering the equipment during operations. Otherwise, equipment short-circuits or damage, load power derating, power failure, or personal injury may occur.

---

---

 **WARNING**

For the equipment that needs to be grounded, install the ground cable first when installing the equipment and remove the ground cable last when removing the equipment.

---

---

 **CAUTION**

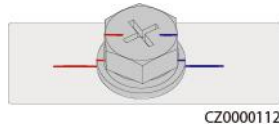
Do not route cables near the air intake or exhaust vents of the equipment.

---

### General Requirements

- Follow the procedures described in the document for installation, operation, and maintenance. Do not reconstruct or alter the equipment, add components, or change the installation sequence without permission.
- Obtain approval from the national or local electric utility company before connecting the equipment to the grid.
- Observe the power plant safety regulations, such as the operation and work ticket mechanisms.
- Install temporary fences or warning ropes and hang "No Entry" signs around the operation area to keep unauthorized personnel away from the area.

- Before installing or removing power cables, turn off the switches of the equipment and its upstream and downstream switches.
- If any liquid is detected inside the equipment, disconnect the power supply immediately and do not use the equipment.
- Before performing operations on the equipment, check that all tools meet the requirements and record the tools. After the operations are complete, collect all of the tools to prevent them from being left inside the equipment.
- Before installing power cables, check that cable labels are correct and cable terminals are insulated.
- When installing the equipment, use a torque tool of a proper measurement range to tighten the screws. When using a wrench to tighten the screws, ensure that the wrench does not tilt and the torque error does not exceed 10% of the specified value.
- Ensure that bolts are tightened with a torque tool and marked in red and blue after double-check. Installation personnel mark tightened bolts in blue. Quality inspection personnel confirm that the bolts are tightened and then mark them in red. (The marks must cross the edges of the bolts.)



- After the installation is complete, ensure that protective cases, insulation tubes, and other necessary items for all electrical components are in position to avoid electric shocks.
- If the equipment has multiple inputs, disconnect all the inputs before operating the equipment.
- Before maintaining a downstream electrical or power distribution device, turn off the output switch on the power supply equipment.
- During equipment maintenance, attach "Do not switch on" labels near the upstream and downstream switches or circuit breakers as well as warning signs to prevent accidental connection. The equipment can be powered on only after troubleshooting is complete.
- If fault diagnosis and troubleshooting need to be performed after power-off, take the following safety measures: Disconnect the power supply. Check whether the equipment is live. Install a ground cable. Hang warning signs and set up fences.
- Check equipment connections periodically, ensuring that all screws are securely tightened.
- Only qualified professionals can replace a damaged cable.
- Do not scrawl, damage, or block any labels or nameplates on the equipment. Promptly replace labels that have worn out.
- Do not use solvents such as water, alcohol, or oil to clean electrical components inside or outside of the equipment.

## Grounding

- Ensure that the grounding impedance of the equipment complies with local electrical standards.

- Ensure that the equipment is connected permanently to the protective ground. Before operating the equipment, check its electrical connection to ensure that it is reliably grounded.
- Do not work on the equipment in the absence of a properly installed ground conductor.
- Do not damage the ground conductor.
- If high touch current may occur on the equipment, ground the protective ground terminal on the equipment enclosure before connecting the power supply; otherwise, electric shock as a result of touch current may occur.

## Cabling Requirements

- When selecting, installing, and routing cables, follow local safety regulations and rules.
- When routing power cables, ensure that there is no coiling or twisting. Do not join or weld power cables. If necessary, use a longer cable.
- Ensure that all cables are properly connected and insulated, and meet specifications.
- Ensure that the slots and holes for routing cables are free from sharp edges, and that the positions where cables are routed through pipes or cable holes are equipped with cushion materials to prevent the cables from being damaged by sharp edges or burrs.
- If a cable is routed into the cabinet from the top, bend the cable in a U shape outside the cabinet and then route it into the cabinet.
- Ensure that cables of the same type are bound together neatly and straight and that the cable sheath is intact. When routing cables of different types, ensure that they are at least 30 mm away from each other.
- When cable connection is completed or paused for a short period of time, seal the cable holes with sealing putty immediately to prevent small animals or moisture from entering.
- Secure buried cables using cable supports and cable clips. Ensure that the cables in the backfill area are in close contact with the ground to prevent cable deformation or damage during backfilling.
- If the external conditions (such as the cable layout or ambient temperature) change, verify the cable usage in accordance with the IEC-60364-5-52 or local laws and regulations. For example, check that the current-carrying capacity meets requirements.
- When routing cables, reserve at least 30 mm clearance between the cables and heat-generating components or areas. This prevents deterioration or damage to the cable insulation layer.
- When the temperature is low, violent impact or vibration may damage the plastic cable sheathing. To ensure safety, comply with the following requirements:
  - Cables can be laid or installed only when the temperature is higher than 0°C. Handle cables with caution, especially at a low temperature.
  - Cables stored at below 0°C must be stored at room temperature for more than 24 hours before they are laid out.
- Do not perform any improper operations, for example, dropping cables directly from a vehicle. Otherwise, the cable performance may deteriorate due

to cable damage, which affects the current-carrying capacity and temperature rise.

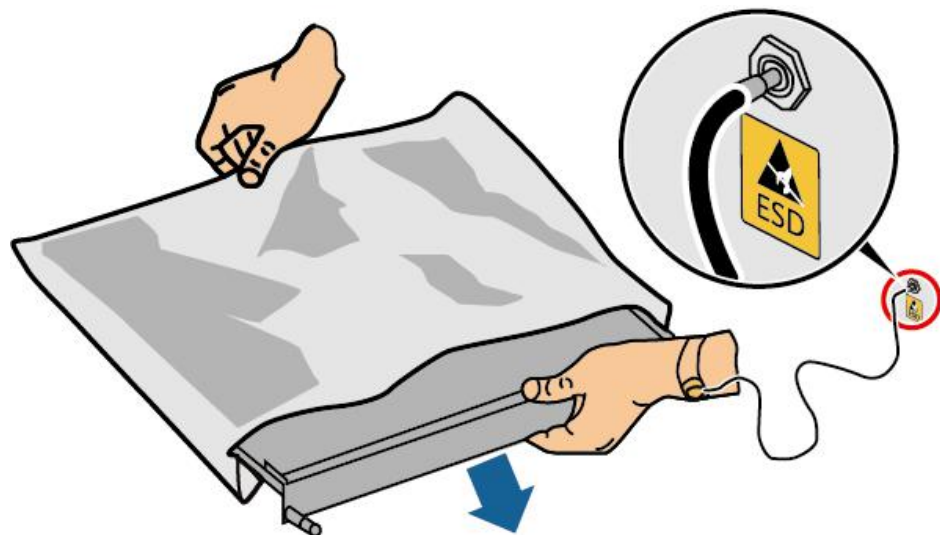
## ESD

### NOTICE

The static electricity generated by human bodies may damage the electrostatic-sensitive components on boards, for example, the large-scale integrated (LSI) circuits.

- When touching the equipment and handling boards, modules with exposed circuit boards, or application-specific integrated circuits (ASICs), observe ESD protection regulations and wear ESD clothing and ESD gloves or a well-grounded ESD wrist strap.

**Figure 1-1** Wearing an ESD wrist strap



DC15000001

- When holding a board or a module with exposed circuit boards, hold its edge without touching any components. Do not touch the components with bare hands.
- Package boards or modules with ESD packaging materials before storing or transporting them.

## 1.3 Environment Requirements

### **⚠ DANGER**

Do not expose the equipment to flammable or explosive gas or smoke. Do not perform any operation on the equipment in such environments.

---

 **DANGER**

Do not store any flammable or explosive materials in the equipment area.

---

---

 **DANGER**

Do not place the equipment near heat sources or fire sources, such as smoke, candles, heaters, or other heating devices. Overheat may damage the equipment or cause a fire.

---

---

 **WARNING**

Install the equipment in an area far away from liquids. Do not install it under areas prone to condensation, such as under water pipes and air exhaust vents, or areas prone to water leakage, such as air conditioner vents, ventilation vents, or feeder windows of the equipment room. Ensure that no liquid enters the equipment to prevent faults or short circuits.

---

---

 **WARNING**

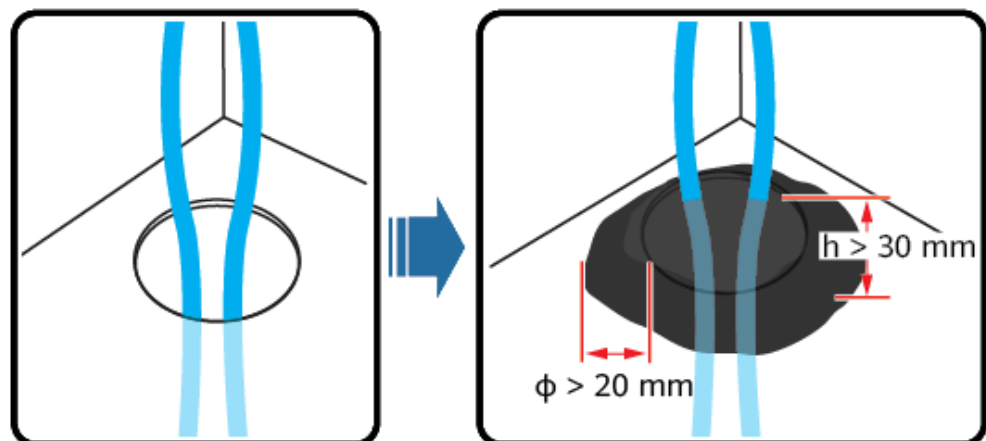
To prevent damage or fire due to high temperature, ensure that the ventilation vents or heat dissipation systems are not obstructed or covered by other objects while the equipment is running.

---

## General Requirements

- Ensure that the equipment is stored in a clean, dry, and well ventilated area with proper temperature and humidity and is protected from dust and condensation.
- Keep the installation and operating environments of the equipment within the allowed ranges. Otherwise, its performance and safety will be compromised.
- Do not install, use, or operate outdoor equipment and cables (including but not limited to moving equipment, operating equipment and cables, inserting connectors to or removing connectors from signal ports connected to outdoor facilities, working at heights, performing outdoor installation, and opening doors) in harsh weather conditions such as lightning, rain, snow, and level 6 or stronger wind.
- Do not install the equipment in an environment with dust, smoke, volatile or corrosive gases, infrared and other radiations, organic solvents, or salty air.
- Do not install the equipment in an environment with conductive metal or magnetic dust.
- Do not install the equipment in an area conducive to the growth of microorganisms such as fungus or mildew.
- Do not install the equipment in an area with strong vibration, noise, or electromagnetic interference.

- Ensure that the site complies with local laws, regulations, and related standards.
- Ensure that the ground in the installation environment is solid, free from spongy or soft soil, and not prone to subsidence. The site must not be located in a low-lying land prone to water or snow accumulation, and the horizontal level of the site must be above the highest water level of that area in history.
- Do not install the equipment in a position that may be submerged in water.
- If the equipment is installed in a place with abundant vegetation, in addition to routine weeding, harden the ground underneath the equipment using cement or gravel.
- Before opening doors during the installation, operation, and maintenance of the equipment, clean up any water, ice, snow, or other foreign objects on the top of the equipment to prevent foreign objects from falling into the equipment.
- When installing the equipment, ensure that the installation surface is solid enough to bear the weight of the equipment.
- All cable holes must be sealed. Seal the used cable holes with sealing putty. Seal the unused cable holes with the caps delivered with the equipment. The following figure shows the criteria for correct sealing with sealing putty.



TN01H00006

- After installing the equipment, remove the packing materials such as cartons, foam, plastics, and cable ties from the equipment area.

## 1.4 Mechanical Safety

### DANGER

When working at heights, wear a safety helmet and safety harness or waist belt and fasten it to a solid structure. Do not mount it on an insecure moveable object or metal object with sharp edges. Make sure that the hooks will not slide off.



---

 **WARNING**

Ensure that all necessary tools are ready and inspected by a professional organization. Do not use tools that have signs of scratches or fail to pass the inspection or whose inspection validity period has expired. Ensure that the tools are secure and not overloaded.

---

---

 **WARNING**

Before installing equipment in a cabinet, ensure that the cabinet is securely fastened with a balanced center of gravity. Otherwise, tipping or falling cabinets may cause bodily injury and equipment damage.

---

---

 **WARNING**

When pulling equipment out of a cabinet, be aware of unstable or heavy objects in the cabinet to prevent injury.

---

---

 **WARNING**

Do not drill holes into the equipment. Doing so may affect the sealing performance and electromagnetic containment of the equipment and damage components or cables inside. Metal shavings from drilling may short-circuit boards inside the equipment.

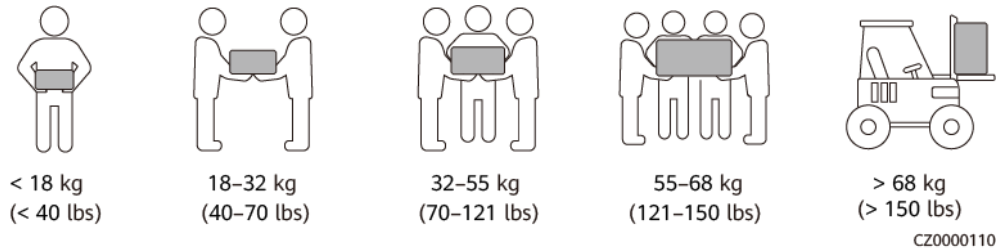
---

## General Requirements

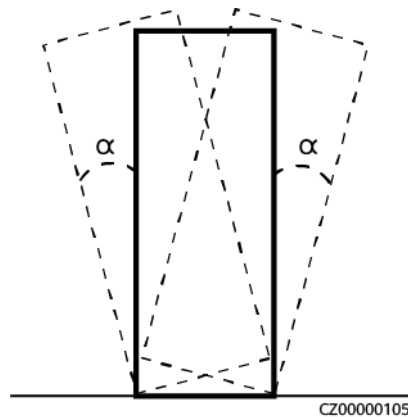
- Repaint any paint scratches caused during equipment transportation or installation in a timely manner. Equipment with scratches must not be exposed for an extended period of time.
- Do not perform operations such as arc welding and cutting on the equipment without evaluation by the Company.
- Do not install other devices on the top of the equipment without evaluation by the Company.
- When performing operations over the top of the equipment, take measures to protect the equipment against damage.
- Use correct tools and operate them in the correct way.

## Moving Heavy Objects

- Be cautious to prevent injury when moving heavy objects.



- If multiple persons need to move a heavy object together, determine the manpower and work division with consideration of height and other conditions to ensure that the weight is equally distributed.
- If two persons or more move a heavy object together, ensure that the object is lifted and landed simultaneously and moved at a uniform pace under the supervision of one person.
- Wear personal protective gears such as protective gloves and shoes when manually moving the equipment.
- To move an object by hand, approach to the object, squat down, and then lift the object gently and stably by the force of the legs instead of your back. Do not lift it suddenly or turn your body around.
- Move or lift the equipment by holding its handles or lower edges. Do not hold the handles of modules that are installed in the equipment.
- Do not quickly lift a heavy object above your waist. Place the object on a workbench that is half-waist high or any other appropriate place, adjust the positions of your palms, and then lift it.
- Move a heavy object stably with balanced force at an even and low speed. Put down the object stably and slowly to prevent any collision or drop from scratching the surface of the equipment or damaging the components and cables.
- When moving a heavy object, be aware of the workbench, slope, staircase, and slippery places. When moving a heavy object through a door, ensure that the door is wide enough to move the object and avoid bumping or injury.
- When transferring a heavy object, move your feet instead of turning your waist around. When lifting and transferring a heavy object, ensure that your feet point to the target direction of movement.
- When transporting the equipment using a pallet truck or forklift, ensure that the tynes are properly positioned so that the equipment does not topple. Before moving the equipment, secure it to the pallet truck or forklift using ropes. When moving the equipment, assign dedicated personnel to take care of it.
- Ensure that tilt angle of the cabinet meets the requirements shown in the figure. The tilt angle  $\alpha$  of a cabinet with packaging must be less than or equal to  $15^\circ$ . After the cabinet is unpacked, its tilt angle  $\alpha$  must be less than or equal to  $10^\circ$ .



## Working at Heights

- Any operations performed 2 m or higher above the ground shall be supervised properly.
- Only trained and qualified personnel are allowed to work at heights.
- Do not work at heights when steel pipes are wet or other risky situations exist. After the preceding conditions no longer exist, the safety owner and relevant technical personnel need to check the involved equipment. Operators can begin working only after safety is confirmed.
- Set a restricted area and prominent signs for working at heights to warn away irrelevant personnel.
- Set guard rails and warning signs at the edges and openings of the area involving working at heights to prevent falls.
- Do not pile up scaffolding, springboards, or other objects on the ground under the area involving working at heights. Do not allow people to stay or pass under the area involving working at heights.
- Carry operation machines and tools properly to prevent equipment damage or personal injury caused by falling objects.
- Personnel involving working at heights are not allowed to throw objects from the height to the ground, or vice versa. Objects shall be transported by slings, hanging baskets, aerial work platforms, or cranes.
- Do not perform operations on the upper and lower layers at the same time. If unavoidable, install a dedicated protective shelter between the upper and lower layers or take other protective measures. Do not pile up tools or materials on the upper layer.
- Dismantle the scaffolding from top down after finishing the job. Do not dismantle the upper and lower layers at the same time. When removing a part, ensure that other parts will not collapse.
- Ensure that personnel working at heights strictly comply with the safety regulations. The Company is not responsible for any accident caused by violation of the safety regulations on working at heights.
- Behave cautiously when working at heights. Do not rest at heights.

## Using Ladders

- Use wooden or insulated ladders when you need to perform live-line working at heights.

- Platform ladders with protective rails are preferred. Do not use single ladders.
- Before using a ladder, check that it is intact and confirm its load bearing capacity. Do not overload it.
- Ensure that the ladder is securely positioned and held firm.

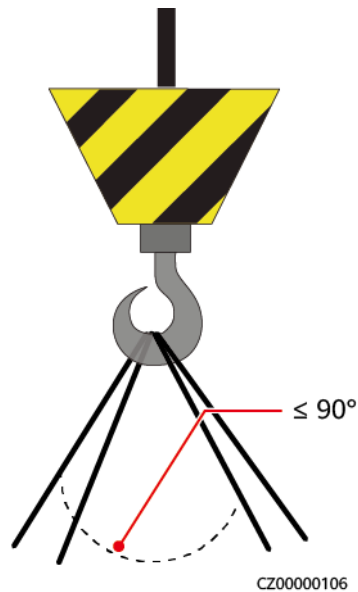


CZ00000107

- When climbing up the ladder, keep your body stable and your center of gravity between the side rails, and do not overreach to the sides.
- When a step ladder is used, ensure that the pull ropes are secured.

## Hoisting

- Only trained and qualified personnel are allowed to perform hoisting operations.
- Install temporary warning signs or fences to isolate the hoisting area.
- Ensure that the foundation where hoisting is performed on meets the load-bearing requirements.
- Before hoisting objects, ensure that hoisting tools are firmly secured onto a fixed object or wall that meets the load-bearing requirements.
- During hoisting, do not stand or walk under the crane or the hoisted objects.
- Do not drag steel ropes and hoisting tools or bump the hoisted objects against hard objects during hoisting.
- Ensure that the angle between two hoisting ropes is no more than 90 degrees, as shown in the following figure.



## Drilling Holes

- Obtain consent from the customer and contractor before drilling holes.
- Wear protective equipment such as safety goggles and protective gloves when drilling holes.
- To avoid short circuits or other risks, do not drill holes into buried pipes or cables.
- When drilling holes, protect the equipment from shavings. After drilling, clean up any shavings.

## 1.5 Equipment Safety

### 1.5.1 ESS Safety

---

**⚠ DANGER**

Do not open cabinet doors when the system is running.

---

---

**⚠ DANGER**

If the ESS is faulty, do not stand within the opening range of the cabinet doors.

---

---

**⚠ CAUTION**

Evacuate from the site immediately once the fire alarm horn/strobe is triggered.

---

- When installing the ESS, comply with the fire separation distance or fire wall requirements specified in local standards, including but not limited to *GB 51048-2014 Design Code for Electrochemical Energy Storage Station* and *NFPA 855 Standard for the Installation of Stationary Energy Storage Systems*.
- Check the fire safety of the ESS regularly, at least once a month.
- When inspecting the system with power on, pay attention to the hazard warning signs on the equipment. Do not stand at the battery cabin doors.
- After power components of the ESS are replaced or cable connections are changed, you need to manually start cable connection detection to prevent system malfunction.
- It is recommended that you prepare a camera to record the detailed processes of equipment installation, operation, and maintenance.

## 1.5.2 Battery Safety

---

 **DANGER**

Do not connect the positive and negative poles of a battery together. Otherwise, the battery may be short-circuited. Battery short circuits can generate high instantaneous current and releases a large amount of energy, which may cause battery leakage, smoke, flammable gas release, thermal runaway, fire, or explosion. To avoid battery short circuits, do not maintain batteries with power on.

---

---

 **DANGER**

Do not expose batteries at high temperatures or around heat sources, such as scorching sunlight, fire sources, transformers, and heaters. Battery overheating may cause leakage, smoke, flammable gas release, thermal runaway, fire, or explosion.

---

---

 **DANGER**

Protect batteries from mechanical vibration, falling, collision, punctures, and strong impact. Otherwise, the batteries may be damaged or catch fire.

---

---

 **DANGER**

To avoid leakage, smoke, flammable gas release, thermal runaway, fire, or explosion, do not disassemble, alter, or damage batteries, for example, insert foreign objects into batteries, squeeze batteries, or immerse batteries in water or other liquids.

---

---

 **DANGER**

Do not touch battery terminals with other metal objects, which may cause heat or electrolyte leakage.

---

---

 **DANGER**

There is a risk of fire or explosion if the model of the battery in use or used for replacement is incorrect. Use a battery of the model recommended by the manufacturer.

---

---

 **DANGER**

Battery electrolyte is toxic and volatile. Do not get contact with leaked liquids or inhale gases in the case of battery leakage or odor. In such cases, stay away from the battery and contact professionals immediately. Professionals must wear safety goggles, rubber gloves, gas masks, and protective clothing, power off the equipment, remove the battery, and contact technical engineers.

---

---

 **DANGER**

A battery is an enclosed system and will not release any gases under normal operations. If a battery is improperly treated, for example, burnt, needle-pricked, squeezed, struck by lightning, overcharged, or subject to other adverse conditions that may cause battery thermal runaway, the battery may be damaged or an abnormal chemical reaction may occur inside the battery, resulting in electrolyte leakage or production of gases such as CO and H<sub>2</sub>. To prevent fire or device corrosion, ensure that flammable gas is properly exhausted.

---

---

 **DANGER**

The gas generated by a burning battery may irritate your eyes, skin, and throat. Take protective measures promptly.

---

---

 **WARNING**

Install batteries in an area far away from liquids. Do not install it under areas prone to condensation, such as under water pipes and air exhaust vents, or areas prone to water leakage, such as air conditioner vents, ventilation vents, or feeder windows of the equipment room. Ensure that no liquid enters the equipment to prevent faults or short circuits.

---

---

 **WARNING**

Before installing and commissioning batteries, prepare fire fighting facilities, such as fire sand and carbon dioxide fire extinguishers, according to construction standards and regulations. Before putting into operation, ensure that fire fighting facilities that comply with local laws and regulations are installed.

---

---

 **WARNING**

Before unpacking, storage, and transportation, ensure that the packing cases are intact and the batteries are correctly placed according to the labels on the packing cases. Do not place a battery upside down or vertically, lay it on one side, or tilt it. Stack the batteries according to the stacking requirements on the packing cases. Ensure that the batteries do not fall or get damaged. Otherwise, they will need to be scrapped.

---

---

 **WARNING**

After unpacking batteries, place them in the required direction. Do not place a battery upside down or vertically, lay it on one side, tilt it, or stack it. Ensure that the batteries do not fall or get damaged. Otherwise, they will need to be scrapped.

---

---

 **WARNING**

Tighten the screws on copper bars or cables to the torque specified in this document. Periodically confirm whether the screws are tightened, check for rust, corrosion, or other foreign objects, and clean them up if any. Loose screw connections will result in excessive voltage drops and batteries may catch fire when the current is high.

---

---

 **WARNING**

After batteries are discharged, charge them in time to avoid damage due to overdischarge.

---

## Statement

**The Company shall not be liable for any battery damage, personal injury, death, property loss, and/or other consequences caused by the following reasons:**

- Force majeure such as earthquakes, floods, volcanic eruptions, debris flows, lightning strikes, fires, wars, armed conflicts, typhoons, hurricanes, tornadoes, and other extreme weather conditions



- The battery warranty period has expired. You are advised not to use a battery whose warranty period has expired, as this poses safety risks.
- Actions that do not follow instructions in the user manual or direct advice from the Company, including but not limited to the following scenarios:
  - The onsite equipment operating environment or external power parameters do not meet the environment requirements for normal operation, for example, the actual operating temperature of batteries is too high or too low, or the power grid is unstable and experiences outages frequently.
  - Batteries are dropped or incorrectly operated or connected.
  - Batteries are overdischarged due to delayed acceptance or power-on after battery installation.
  - Battery running parameters are incorrectly set.
  - Different types of batteries, for example, batteries of different brands or rated capacities, are used together without prior approval from the Company.
  - Batteries are frequently overdischarged due to improper battery maintenance.
  - Battery use scenarios are changed without prior approval from the Company.
  - Battery maintenance is not performed according to the instructions in the user manual, for example, failing to check battery terminals regularly.
  - Batteries are not transported, stored, or charged according to the instructions in the user manual.
  - Instructions from the Company are not followed during battery relocation or reinstallation.

## General Requirements

---

### NOTICE

To ensure battery safety and battery management accuracy, use batteries provided by the Company. The Company is not responsible for any faults of batteries not provided by it.

---

- Before installing, operating, and maintaining batteries, read the battery manufacturer's instructions and comply with their requirements. The safety precautions specified in this document are highly important and require special attention. For additional safety precautions, see the instructions provided by the battery manufacturer.
- Use batteries within the specified temperature range. When the ambient temperature of the batteries is lower than the allowed range, do not charge the batteries to prevent internal short circuits caused during low-temperature charging.
- Do not use a damaged battery (such as damage caused when a battery is dropped, bumped, bulged, or dented on the enclosure), because the damage may cause electrolyte leakage or flammable gas release. In the case of

electrolyte leakage or structural deformation, contact the installer or professional O&M personnel immediately to remove or replace the battery. Do not store the damaged battery near other devices or flammable materials and keep it away from non-professionals.

- Before working on a battery, ensure that there is no irritant or scorched smell around the battery.
- When installing batteries, do not place installation tools, metal parts, or sundries on the batteries. After the installation is complete, clean up the objects on the batteries and the surrounding area.
- Check whether the positive and negative battery terminals are grounded unexpectedly. If so, disconnect the battery terminals from the ground.
- Do not perform welding or grinding work around batteries to prevent fire caused by electric sparks or arcs.
- If batteries are left unused for a long period of time, store and charge them according to the battery requirements.
- Do not charge or discharge batteries by using a device that does not comply with local laws and regulations.
- Keep the battery loop disconnected during installation and maintenance.
- Monitor damaged batteries during storage for signs of smoke, flame, electrolyte leakage, or heat.
- If a battery is faulty, its surface temperature may be high. Do not touch the battery to avoid scalds.
- Do not stand on, lean on, or sit on the top of the equipment.
- When battery packs are installed as spare parts, the following requirements must be met:
  - Before unpacking batteries, check whether the packaging is intact. Do not use batteries with damaged packaging. If any damage is found, notify the carrier and manufacturer immediately.
  - Install batteries within 24 hours after unpacking. If the batteries cannot be installed in time, put them in the original packaging and place them in a dry indoor environment without corrosive gases. Power on the ESS within 24 hours after installation. The process from unpacking batteries to powering on the system must be completed within 72 hours. During routine maintenance, ensure that the power-off time does not exceed 24 hours.
  - Before installing a battery pack, check that its enclosure is not deformed or damaged.
  - When installing batteries, do not place installation tools, metal parts, or sundries on the batteries. After the installation is complete, clean up the objects on the batteries and the surrounding area.
  - Do not install battery packs on rainy, snowy, or foggy days. Otherwise, the battery packs may be corroded by moisture or rain.
  - If batteries are exposed to water accidentally, do not install them. Instead, transport the batteries to a safe isolation point and contact technical engineers in a timely manner.
- In backup power scenarios, do not use the batteries for the following situations:

- Medical devices substantially important to human life
- Control equipment such as trains and elevators, as this may cause personal injury
- Computer systems of social and public importance
- Locations near medical devices
- Other devices similar to those described above

## Short-Circuit Protection

- When installing and maintaining batteries, wrap the exposed cable terminals on the batteries with insulation tape.
- Avoid foreign objects (such as conductive objects, screws, and liquids) from entering a battery, as this may cause short circuits.

## Leakage Handling

---

### NOTICE

Electrolyte leakage may damage the equipment. It will corrode metal parts and boards, and ultimately damage the boards.

---

Electrolyte is corrosive and can cause irritation and chemical burns. If you come into direct contact with the battery electrolyte, do as follows:

- Inhalation: Evacuate from contaminated areas, get fresh air immediately, and seek immediate medical attention.
- Eye contact: Immediately wash your eyes with water for at least 15 minutes, do not rub your eyes, and seek immediate medical attention.
- Skin contact: Wash the affected areas immediately with soap and water and seek immediate medical attention.
- Intake: Seek immediate medical attention.

## Recycling

- Dispose of waste batteries in accordance with local laws and regulations. Do not dispose of batteries as household waste. Improper disposal of batteries may result in environmental pollution or an explosion.
- If a battery leaks or is damaged, contact technical support or a battery recycling company for disposal.
- If batteries are out of service life, contact a battery recycling company for disposal.
- Do not expose waste batteries to high temperatures or direct sunlight.
- Do not place waste batteries in environments with high humidity or corrosive substances.
- Do not use faulty batteries. Contact a battery recycling company to scrap them as soon as possible to avoid environmental pollution.

# 2 Overview

## 2.1 Model Description

This document involves the following product models:

LUNA2000-215-2S10

LUNA2000-215-2S12

Figure 2-1 Model number (example)

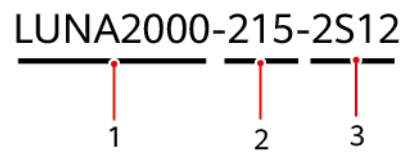


Table 2-1 Model number description

No.	Meaning	Description
1	Product family name	LUNA2000: Smart String ESS
2	Capacity level	215: nominal energy of 215 kWh
3	ESS	<ul style="list-style-type: none"><li>LUNA2000-215-2S10: 0.5CP, standard safety edition</li><li>LUNA2000-215-2S12: 0.5CP, advanced safety edition, with TRSD</li></ul>

NOTE

Currently, LUNA2000-215-2S12 is sold only in the China Region.

## 2.2 Product Description

### Introduction

The ESS mainly consists of lithium battery packs (PACK), Power Converter System (PCS), Rack Control Module (RCM), Liquid Thermal Management System (LTMS), and Thermal Runaway Suppression Device (TRSD). It stores and releases electricity through the control of the RCM.

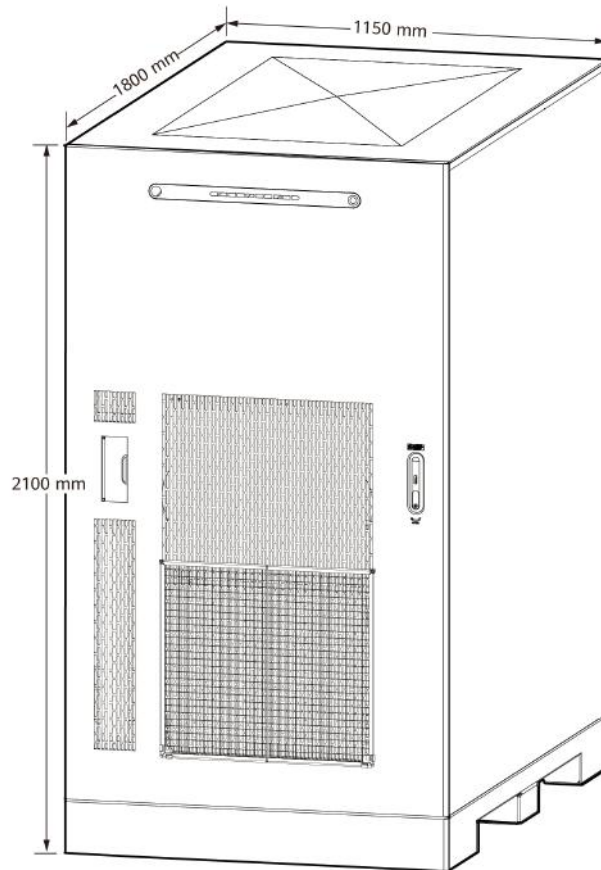
- **Battery charging:** Controlled by the RCM, the electricity from the mains or other power supplies is converted by the PCS into DC electricity, which is then stored in batteries.
- **Battery discharging:** Controlled by the RCM, the electricity released by batteries is converted by the PCS into AC electricity, which is then supplied to loads.

### Highlights

- **Integrated design:** The internal components of the ESS are integrated to reduce the footprint, simplify the installation and O&M process, and greatly reduce the installation time and cost.
- **Smart thermal management with air and liquid cooling:** The ESS uses thermal management and control technologies to implement various functions including active liquid cooling, natural air cooling, waste heat recovery, low-temperature heat pump heating or electric heater, and intelligent dehumidification, achieving optimal energy efficiency throughout the year.

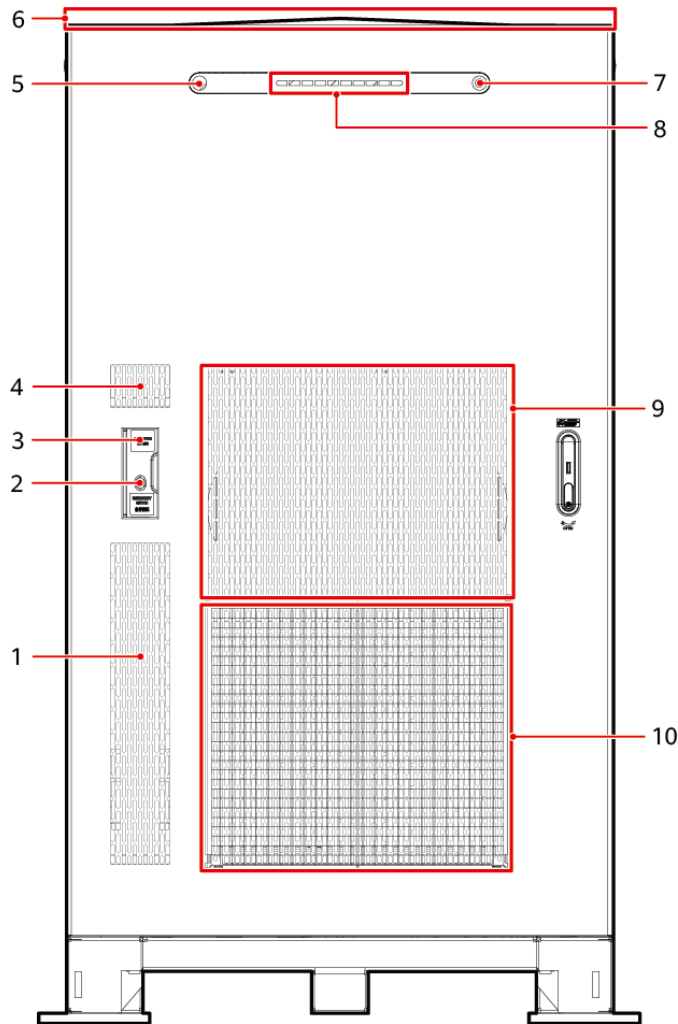
## 2.3 Appearance

Figure 2-2 Appearance and dimensions



## 2.4 Components

**Figure 2-3** Components (door closed)



**Table 2-2** Component description

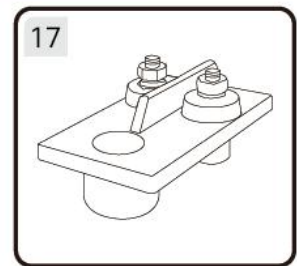
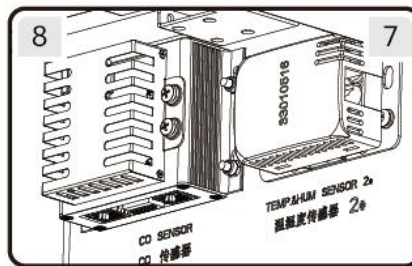
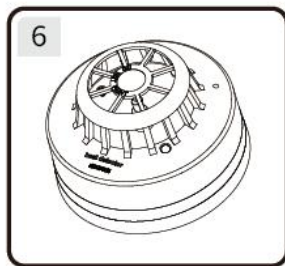
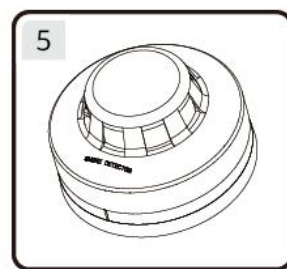
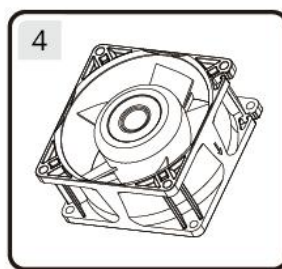
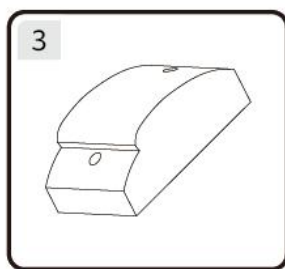
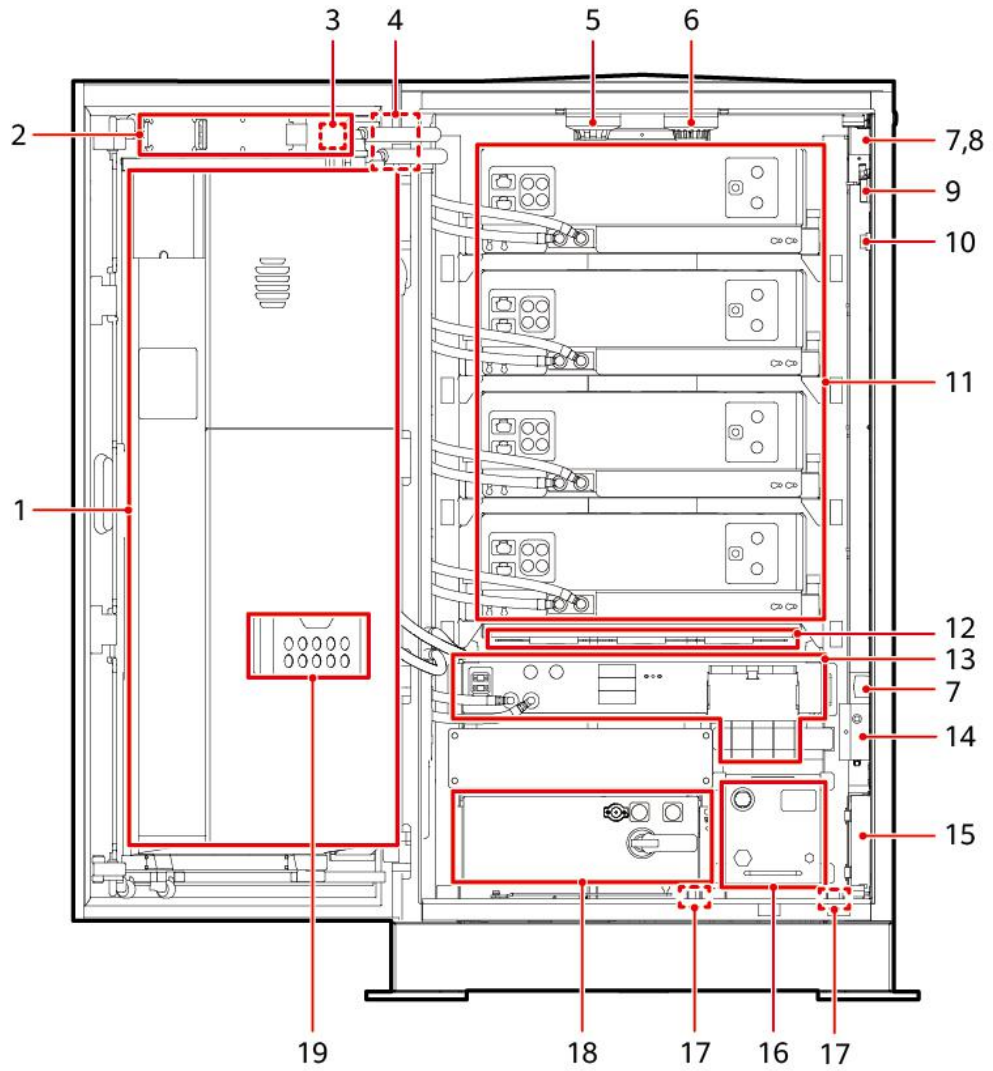
No.	Item	Maximum Quantity per ESS	Description
1	Air inlet of the air duct	1	Air inlet of the LTMS air duct.
2	Emergency stop switch	1	Stops the ESS in emergency situations.
3	WLAN switch	1	Activates the WiFi communication of the Battery Rack Controller Unit (BCU).

No.	Item	Maximum Quantity per ESS	Description
4	Air outlet of the air duct	1	Air outlet of the LTMS air duct.
5	Fire alarm indicator	1	Generates alarms for internal devices when abnormal temperature or smoke occurs.
6	Explosion relief panel	1	If an explosion occurs inside, the explosion relief panel is automatically opened.
7	Status indicator	1	Indicates the overall ESS status: <ul style="list-style-type: none"> <li>● Steady green: The ESS is running properly or connected to the grid with zero feed-in power.</li> <li>● Blinking green fast (on for 0.5s and off for 0.5s): The device is being upgraded.</li> <li>● Blinking green slowly (on for 1s and off for 1s): The app is connected to the ESS.</li> <li>● Pulsating green (gradually changing brightness, on for 2s and off for 2s): The ESS is in standby mode.</li> <li>● Off: The ESS is shut down.</li> <li>● Blinking red fast (on for 0.5s and off for 0.5s): A minor alarm is generated, or the communication between the indicator board and the BCU is interrupted.</li> <li>● Steady red: A major alarm is generated. Contact technical support.</li> </ul>



No.	Item	Maximum Quantity per ESS	Description
8	SOC indicator	1	<p>Consists of 10 rectangular LEDs that display the SOC status of the ESS in real time through the number of sequential blinking LEDs.</p> <p>For example:</p> <ul style="list-style-type: none"> <li>• When the ESS is charging from 60% to 70% SOC, the first to sixth LEDs are steady green, and the seventh to tenth indicators are blinking in sequence. When the ESS is fully charged, 10 LEDs are all steady on.</li> <li>• When the ESS is discharging from 70% to 60% SOC, the first to sixth LEDs are steady green, the seventh LED is blinking slowly, and the eighth to tenth LEDs are off. When the ESS is fully discharged, 10 LEDs are all off.</li> <li>• When the ESS is not charged or discharged, for example at 70% SOC, the first to seventh indicators are steady green, and the eighth to tenth indicators are off.</li> </ul>
9	Air outlet of the heat sink	1	Air outlet of the LTMS heat sink.
10	Air inlet of the heat sink	1	Air inlet of the LTMS heat sink, covered with an air filter

Figure 2-4 Components (door opened)



**Table 2-3** Component description

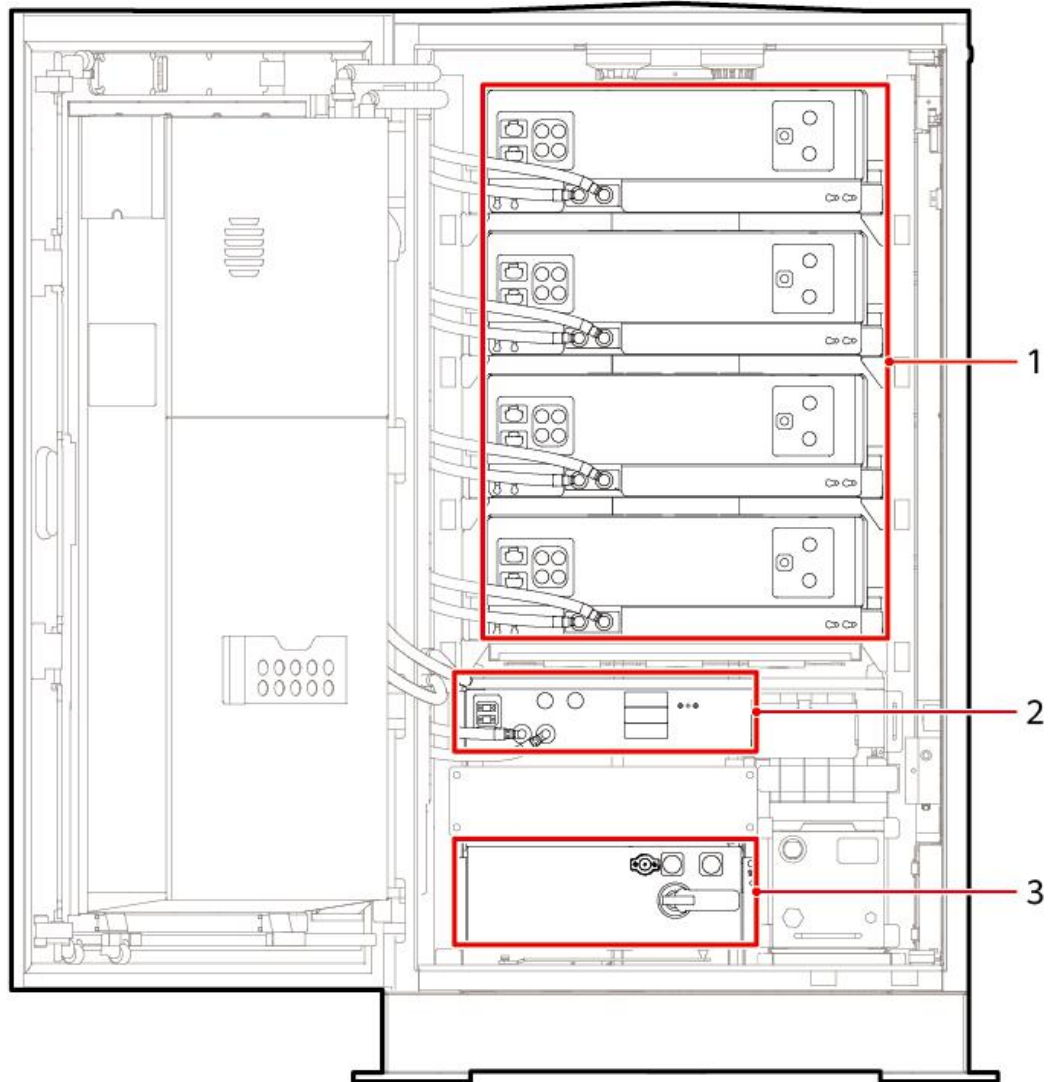
No.	Item	Maximum Quantity per ESS	Description
1	LTMS	1	The Liquid Cooling Controller (LCC) controls the temperature in the ESS with the cooling, heating, and dehumidification functions.
2	Indicator board	1	Provides an independent fire alarm indicator, SOC indicator, and status indicator for the ESS.
3	Fire alarm horn/strobe	1	Generates alarms for internal devices when abnormal temperature or smoke occurs.
4	Exhaust fan (optional)	2	Exhausts combustible gases from the cabinet.
5	Smoke detector	1	Photoelectric smoke detector, detects smoke.
6	Heat detector	1	Monitors temperature to prevent fire.
7	T/H sensor	2	Measures the real-time ambient temperature and humidity in the cabinet.
8	CO sensor/ Explosion-proof CO sensor (optional)	1	Checks the concentration of CO in combustible gases.
9	Door status sensor	1	Monitors the opening or closing status of the ESS door.
10	Travel switch	1	Works with the door status sensor to monitor the opening or closing status of the ESS door.
11	PACK	4	A battery pack is a combination of battery cells that are connected in series and supply or receive power through a pair of positive and negative terminals. Each battery pack is equipped with a battery management module, balancing DCDC module, and liquid cooling plate.
12	Aerosol fire suppression device	3	When the aerosol fire suppression device senses the high temperature, it automatically starts and releases extinguishant.

No.	Item	Maximum Quantity per ESS	Description
13	PCS	1	The PCS converts the battery DC voltage discharged from the ESS into specified AC voltage and converts AC voltage into DC voltage to charge the ESS. It supports 100% unbalanced loads.
14	Lead-acid battery box (optional)	-	The lead-acid battery box is optional. It works with the thermal runaway suppression system to supply power to the TRSD.
15	SmartLogger installation position	-	The SmartLogger can be installed inside the ESS in the single ESS scenario. The SmartLogger manages the voltage, current, temperature, and energy of each ESS in an array.
16	TRSD host (optional)	1	When a thermal runaway alarm is generated for any PACK, the TRSD host communicates with the BMS to respond to the fire alarm and start automatic fire suppression control.
17	Water sensor	2	Detects water based on the resistance change between both electrodes.
18	RCM	1	The RCM consists of the BCU, rack power control board, fuse, contactor, and disconnect. It is used for ESS control, short-circuit fault detection, insulation detection, leakage current detection, high-precision current sampling, auxiliary power supply, and connecting to the ESS on the mobile app.
19	Document holder	1	Stores documents related to the ESS, such as the quick guide.

## 2.4.1 Power Supply and Distribution System

### 2.4.1.1 Power Supply and Distribution System Overview

Figure 2-5 Position of the power supply and distribution system



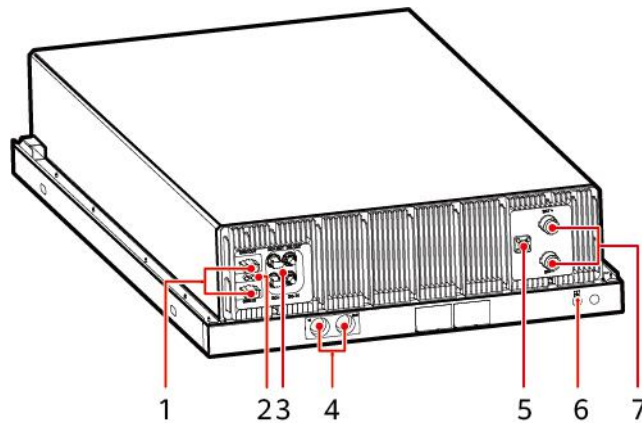
(1) PACK	(2) PCS	(3) RCM
----------	---------	---------

### 2.4.1.2 PACK

The ESS supports three types of PACKs:

- LUNA2000-54-2E1 (with PACK extinguishant port)
- LUNA2000-54-2E1 (without PACK extinguishant port)

**Figure 2-6** PACK appearance (with PACK extinguishant port)



**Table 2-4** PACK panel description

No.	Port	Maximum Quantity per PACK	Description
1	Communications ports (COM OUT and COM IN)	2	Used for communication between PACKs or between PACKs and the RCM.
2	Signal cable ground terminal	2	Used to ground the PACK signal cable shield layer.
3	Balancing module ports (DC+ OUT, DC- OUT, DC+ IN, and DC- IN)	4	Input and output ports of the balancing DCDC module.
4	Coolant inlet and outlet ports (IN and OUT)	2	Used for coolant supply and return.
5	PACK extinguishant port (optional)	1	When the temperature in the PACK exceeds the specified value, the TRSD injects perfluorohexanone into the PACK through this port to suppress thermal runaway.
6	Ground terminal	1	Used to ground the PACK.
7	General power ports (BAT+ and BAT-)	2	PACK general power input/output port, used for power connection between PACKs or between PACKs and the RCM.

**Table 2-5** Battery configuration

ESS Model	Battery Type	Battery Quantity
LUNA2000-215-2S10	LUNA2000-54-2E1 (without PACK extinguishant port)	4
LUNA2000-215-2S12	LUNA2000-54-2E1 (with PACK extinguishant port)	4

**Table 2-6** Technical specifications

Item	LUNA2000-54-2E1
Cell capacity	3.2 V/280 Ah
Cell material	Lithium iron phosphate
Battery configuration	1P60S
Operating voltage	162–216 V
Rated voltage	192 V
Charge and discharge rate	≤ 0.5CP
Nominal capacity	53.8 kWh
Weight	≤ 410 kg (excluding coolant)
Dimensions (W x H x D)	810 mm x 245 mm x 1333 mm
Cooling mode	Liquid cooling
IP rating	IP65
Operating temperature	–30°C to +55°C
Storage temperature	–35°C to +60°C
Transportation temperature	–35°C to +60°C
Balancing mode	Passive cell balancing Active PACK balancing
Communications port	CAN FD/Daisy chain

### 2.4.1.3 PCS

Figure 2-7 PCS appearance

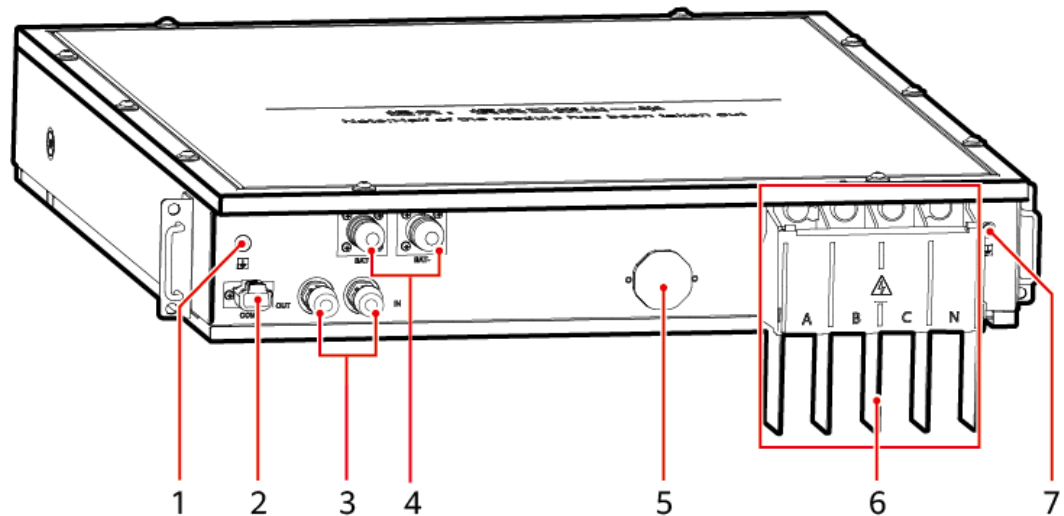


Table 2-7 PCS panel description

No.	Port	Description
1	Signal cable ground terminal	Used to ground the PCS signal cable shield layer.
2	Communications port (COM)	Used for communication between the PCS and the RCM.
3	Coolant inlet and outlet ports (IN and OUT)	Used for coolant circulation.
4	DC power terminals (BAT+ and BAT-)	Used for DC input and output.
5	Exhaust valve	Used for air exhaust and pressure relief.
6	AC input/output power terminals	Used for AC input and output.
7	Ground terminal	Used to ground the PCS.

## Technical Specifications

Table 2-8 Conversion efficiency

Item	PCS
Maximum discharge efficiency	98.70%



Item	PCS
Maximum charge efficiency	98.60%

**Table 2-9** Protection

Item	PCS
Overvoltage category	OVCII (DC)/OVCIII (AC)
AC surge protection	Type II, 5 kA (8/20 $\mu$ s)
Insulation resistance detection	Supported
Anti-islanding protection	Supported
Output overcurrent protection	Supported
Residual current monitoring	Supported
Input reverse connection protection	Supported

**Table 2-10** General specifications

Item	PCS
Dimensions (W x H x D)	$\leq$ 820 mm x 160 mm x 973 mm (excluding mounting ears and terminals)
Weight	$\leq$ 105 kg (excluding coolant)
Ingress protection (IP) rating	IP55
Cooling mode	Smart liquid cooling
PCS electromagnetic compatibility (EMC) warning: This PCS is not intended for independent use in a residential environment, and this PCS may cause radio interference, in which case the user may be required to take additional mitigation measures against electromagnetic interference. When the PCS is installed in this Smart String ESS, this restriction does not apply.	

#### 2.4.1.4 RCM

The ESS supports the following RCMs:

- RCM-M1-C-140A1 (0.5CP, without disconnecter)
- RCM-M1-S-140A1 (0.5CP, with disconnecter)

Figure 2-8 RCM appearance (with disconnecter)

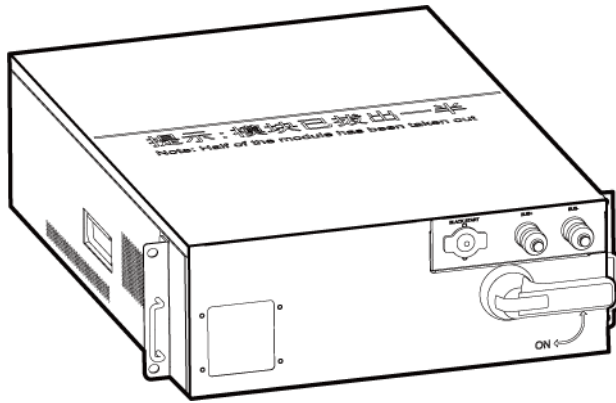


Figure 2-9 RCM panel description

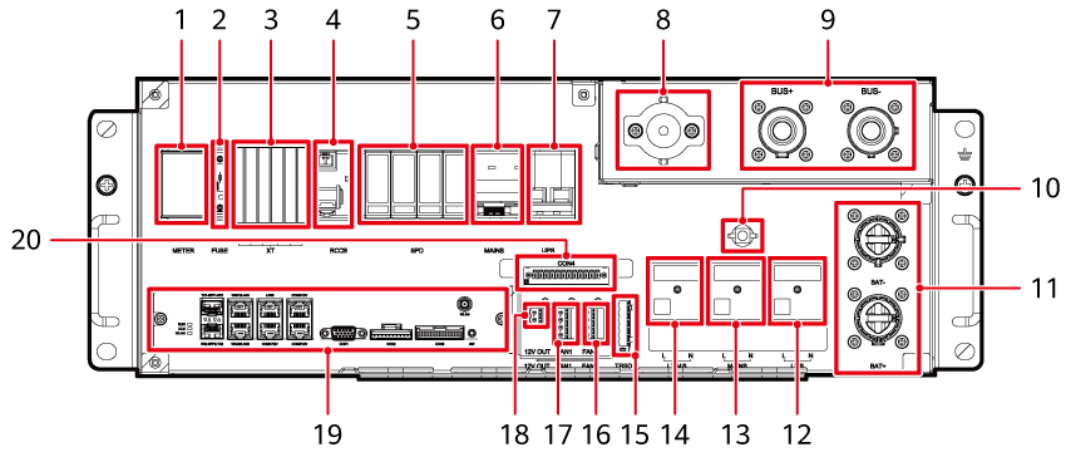


Table 2-11 Component configuration

No.	Item	Maximum Quantity per ESS	Description
1	Power meter (AC METER)	1	Collects information about the auxiliary AC power supply.
2	Power meter fuse (FUSE)	1	Fuse of the power meter.
3	Wiring terminals for manually switching the auxiliary power supply (UT6)	1	Used to manually switch the auxiliary power source between the UPS and mains. Terminals 1–3 are live wire bars. Terminals 4–6 are neutral wire bars.
4	Residual current circuit breaker (RCCB)	1	Used for residual current protection.

No.	Item	Maximum Quantity per ESS	Description
5	AC surge protective device (SPD)	1	Provides surge protection for mains AC power.
6	General AC switch (QF1)	1	General mains AC input switch.
7	UPS switch (QF2)	1	General UPS AC input switch.
8	Black start button (BLACK START)	1	Triggers the ESS black start.
9	DC bus terminals (BUS+ and BUS-)	1	Positive and negative terminals of the DC bus.
10	Disconnecter	1	Isolates the battery side. Turn the disconnecter clockwise to connect the batteries, and turn the disconnecter counterclockwise to disconnect the batteries.
11	Battery rack DC ports (BAT+ and BAT-)	1	BAT+ and BAT- refer to the positive and negative terminals, respectively.
12	UPS (L, N) AC input wiring terminals	1	Wiring terminals of the UPS AC input.
13	MAINS (L, N) AC input wiring terminals	1	Wiring terminals of the mains AC input.
14	LTMS AC output wiring terminal (LTMS)	1	Used to supply mains power to the LTMS.
15	Wiring terminal (TRSD)	1	Integrated wiring terminal, used to supply power to the following components from top to bottom: 1-4 to the TRSD 5-6 to the SmartLogger
16	Output wiring terminal of the ESS exhaust fan (FAN2)	1	Used for power supply and communication of the ESS exhaust fan under the cabinet door.

No.	Item	Maximum Quantity per ESS	Description
17	Output wiring terminal of the ESS exhaust fan (FAN1)	1	Used for power supply and communication of the ESS exhaust fan above the cabinet door.
18	12 V DC output wiring terminal (12V OUT)	1	12 V DC auxiliary power supply.
19	Battery Rack Controller Unit (BCU)	1	Aggregates interfaces, converts protocols, collects and stores data, and performs unified monitoring and local maintenance for devices in the ESS.
20	Wiring terminal (CON4)	1	Integrated wiring terminal, used for communication between components.

**Table 2-12** RCM configuration

ESS Model	RCM Type	RCM Quantity
LUNA2000-215-2S10	RCM-M1-C-140A1 (0.5CP, without disconnecter)	1
LUNA2000-215-2S12	RCM-M1-S-140A1 (0.5CP, with disconnecter)	1

## Technical Specifications

**Table 2-13** RCM technical specifications

Item	RCM
AC voltage	120–300 V AC
BUS voltage	280–1100 V DC
BAT voltage	280–1100 V DC
Operating temperature	–30°C to +55°C
Storage temperature	–35°C to +60°C
Dimensions (W x H x D)	538 mm x 200 mm x 750 mm
Weight	≤ 40 kg

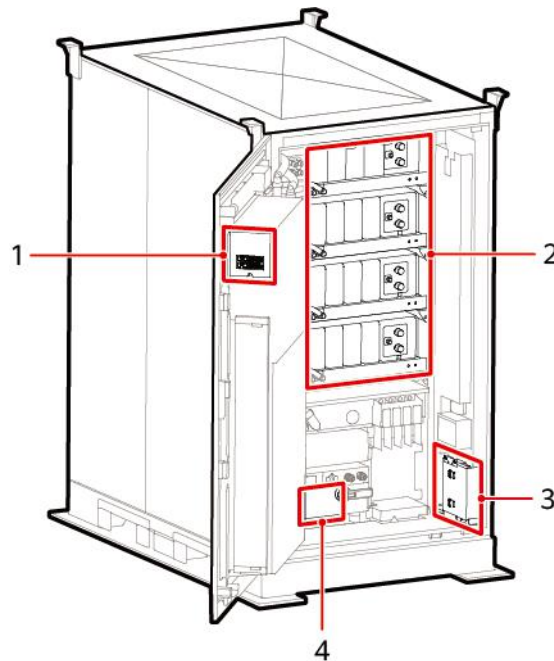
Item	RCM
IP rating	IP20

## 2.4.2 Monitoring System

### 2.4.2.1 Monitoring System Overview

The LCC, BMU, and BCU monitor the ESS internal status, and the SmartLogger monitors the ESS external environment.

**Figure 2-10** Positions of monitoring system components



**Table 2-14** Component description

No.	Item	Maximum Quantity per ESS	Description
1	LCC	1	Manages the working mode of the LTMS and adjusts the supply coolant temperature.
2	Battery Monitoring Unit (BMU)	16	Manages the voltage, current, temperature, and energy of each cell in a PACK.

No.	Item	Maximum Quantity per ESS	Description
3	SmartLogger (external monitoring)	1	<p>Manages the voltage, current, temperature, and energy of each ESS in an array.</p> <p>In the single ESS scenario, the SmartLogger can be installed inside the ESS and connected to the cloud maintenance platform. In the scenario with two or more ESSs, the SmartLogger must be installed outside the ESSs.</p>
4	BCU	1	<ul style="list-style-type: none"> <li>Manages the voltage, current, temperature, and energy of each PACK in a battery rack.</li> <li>Used for ESS monitoring. Aggregates interfaces, converts protocols, collects and stores data, and performs unified monitoring and local maintenance for devices in the ESS.</li> </ul>

### 2.4.2.2 BCU

#### Appearance

Figure 2-11 BCU appearance

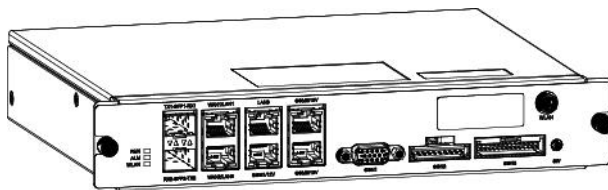
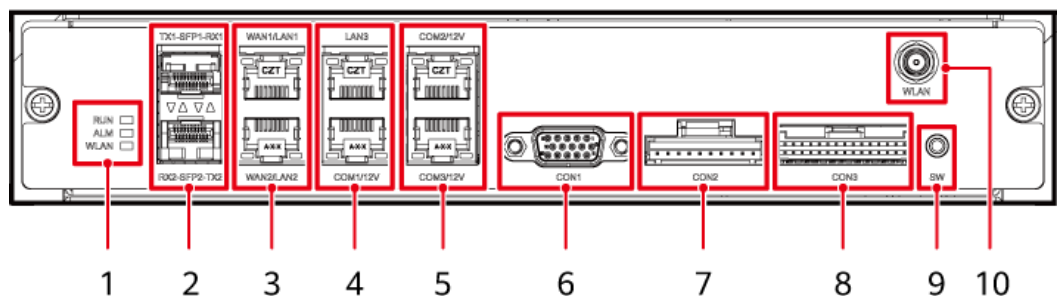


Figure 2-12 BCU panel description



(1) LED indicators	(2) Optical fiber communications ports	(3) FE communications ports
(4) COM and LAN communications ports	(5) COM communications ports	(6) CON communications port 1
(7) CON communications port 2	(8) CON communications port 3	(9) SW (RST button)
(10) WLAN antenna port		

## Indicators

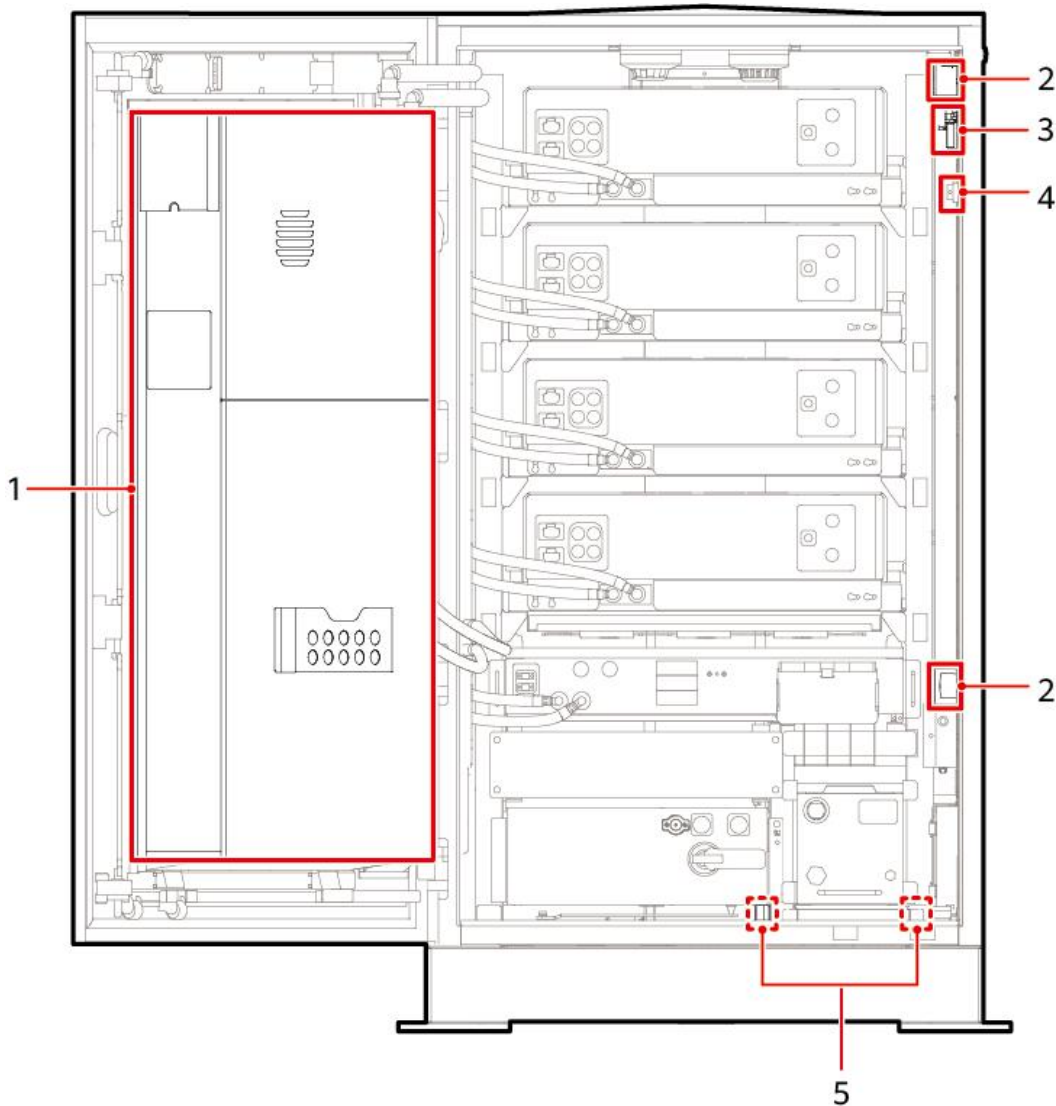
**Table 2-15** Indicator description

Indicator	Status	Description
Running indicator (RUN)	Off	Not powered on
	Blinking green slowly (on for 1s and then off for 1s)	The communication with the upper-layer controller is normal.
	Blinking green fast (on for 0.125s and then off for 0.125s)	The communication with the upper-layer controller is interrupted.
Alarm indicator (ALM)	Off	No system alarm is generated.
	Blinking red slowly (on for 1s and then off for 4s)	The system raises a warning alarm.
	Blinking red fast (on for 0.5s and then off for 0.5s)	The system raises a minor alarm.
	Steady red	The system raises a major alarm.
Wireless status indicator (WLAN)	Off	The WLAN module does not work.
	Steady green	The WLAN switch is turned on.

### 2.4.3 Environment Control System

### 2.4.3.1 Environment Control System Overview

Figure 2-13 Position of the environment control system



(1) LTMS	(2) T/H sensor	(3) Door status sensor
(4) Travel switch	(5) Water sensor	

### 2.4.3.2 LTMS

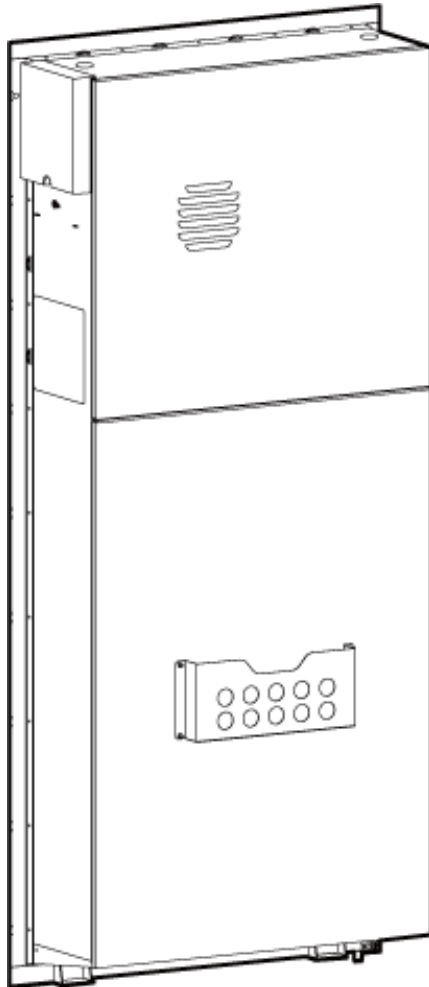
The LTMS consists of the compressor, fan, pump, heat exchanger, and multi-way valve, and supports intelligent selection of cooling and heating modes.

- Mechanical cooling mode: In a high-temperature environment, the coolant is supplied through the multi-way valve to cool the PCS, and the compressor is used for cooling the coolant which is supplied to cool the PACK.



- Natural cooling mode: In a low-temperature environment, the fan is used for cooling the coolant which is supplied through the multi-way valve to cool the PACK and PCS.
- Heating mode: When the PACK temperature is too low, the LTMS automatically adjusts the multi-way valve based on the ambient temperature to implement three heating modes: heat pump, waste heat recovery, and electric heater.

**Figure 2-14** LTMS appearance

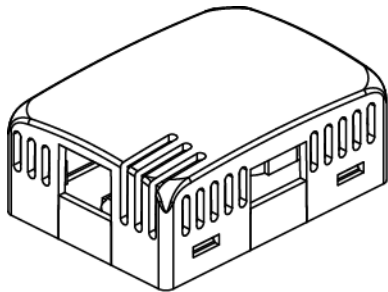


Technical Specifications	LTMS
Power system	200-240 V AC, 1 PH
Frequency	50/60 Hz
Operating temperature	-30°C to +55°C
Storage temperature	-35°C to +60°C
Operating humidity	5%-95% RH
LTMS dimensions (W x H x D)	660 mm x 1560 mm x 240 mm

Technical Specifications	LTMS
LTMS net weight	92 kg
Cooling capacity <sup>[1]</sup>	7.5 kW
Refrigerant	R134a <sup>[2]</sup>
Coolant	50% ethylene glycol solution
Design life	10 years
Environmental protection	RoHS, REACH, and WEEE
Certification	CE
<p>Note:</p> <p>[1] Battery side: ambient temperature 25°C/return water temperature 25°C; power side: ambient temperature 25°C/return water temperature ≤ 70°C.</p> <p>[2] For the entire LTMS, refrigerant content: 0.41 kg; CO<sub>2</sub> equivalent: 0.5863 tons.</p>	

### 2.4.3.3 T/H Sensor

Figure 2-15 T/H sensor appearance



IB04W00024

**NOTE**

The appearance of the T/H sensor delivered onsite may vary.

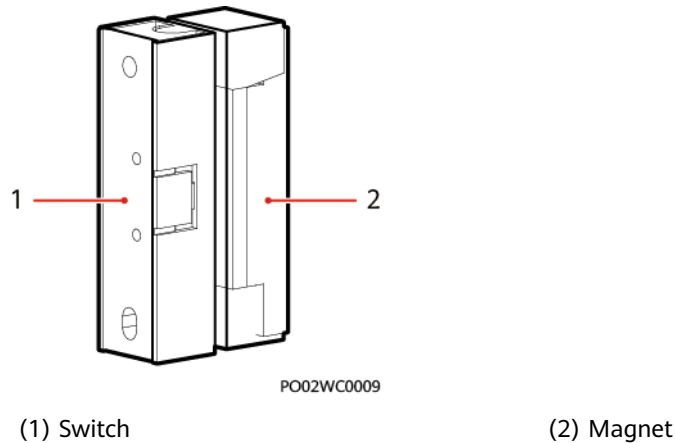
Technical Specifications	T/H Sensor
Temperature measurement range	-20°C to +80°C
Signal output	Two RJ45 ports, bidirectional cascading

**Table 2-16** DIP switch settings

T/H Sensor Address	Toggle Switch 1	Toggle Switch 2	Toggle Switch 3	Toggle Switch 4	Toggle Switch 5	Toggle Switch 6
56	OFF	OFF	OFF	ON	ON	ON

### 2.4.3.4 Door Status Sensor

**Figure 2-16** Appearance



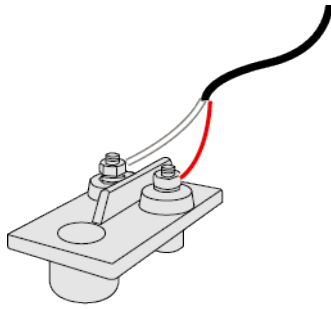
Technical Specifications	Door Status Sensor
Connection method	Wiring terminal
Startup distance	25–45 mm
Securing method	Screw
Hole spacing	40 mm±0.8 mm

### 2.4.3.5 Water Sensor

The water sensor detects water based on the resistance change between both electrodes.

When the electrodes detect water, they are short-circuited and the BCU reports an alarm.

**Figure 2-17** Water sensor appearance

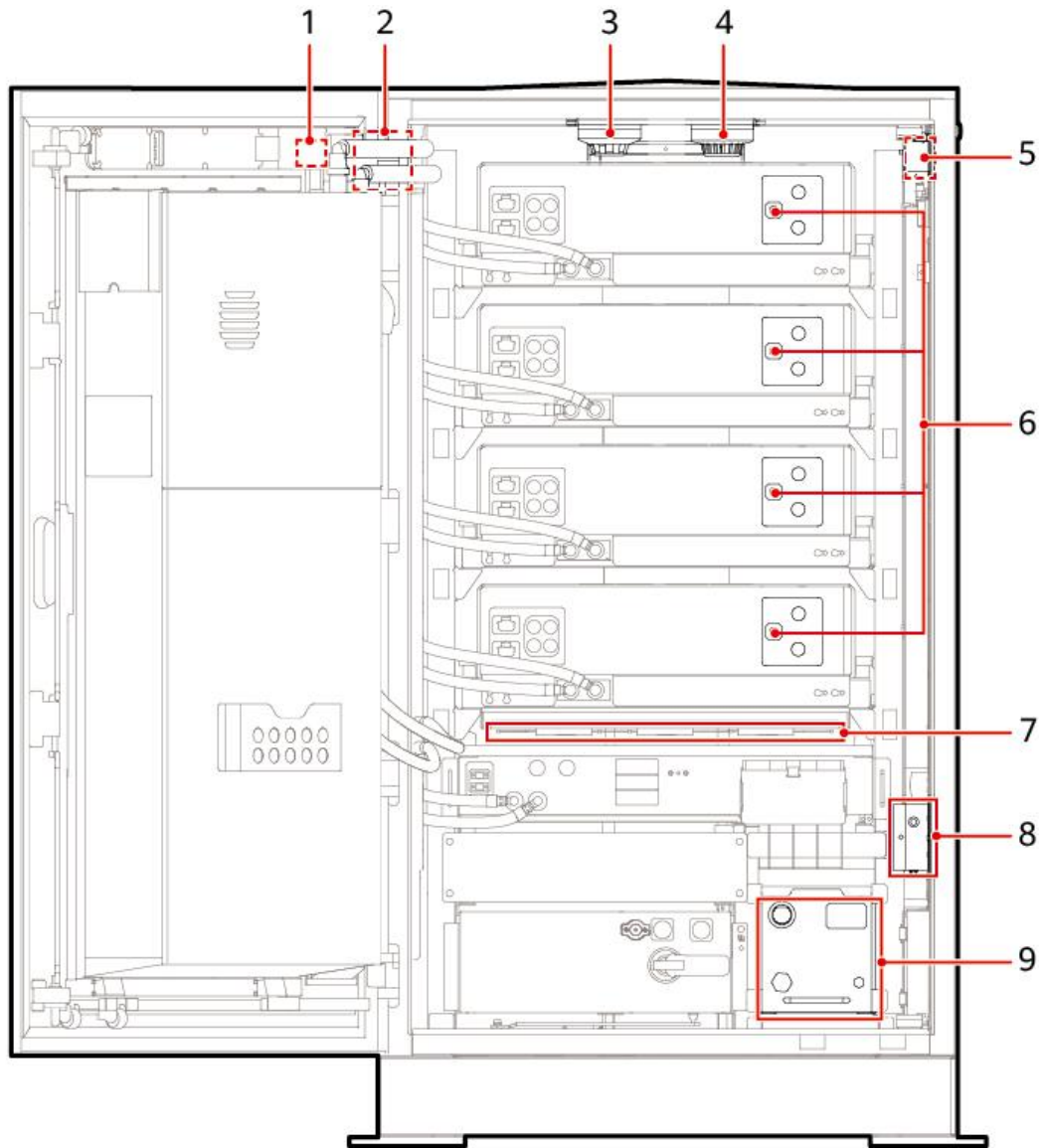


PO01WC0769

## 2.4.4 Thermal Runaway Suppression System

### 2.4.4.1 Thermal Runaway Suppression System Overview

Figure 2-18 Position of the thermal runaway suppression system



(1) Fire alarm horn/ strobe	(2) Exhaust fan (optional)	(3) Smoke detector
(4) Heat detector	(5) CO sensor/Explosion- proof CO sensor (optional)	(6) PACK extinguishant port (optional)
(7) Aerosol fire suppression device	(8) Installation position for the lead-acid battery box	(9) TRSD host (optional)

### 2.4.4.2 TRSD (Optional)

**NOTE**

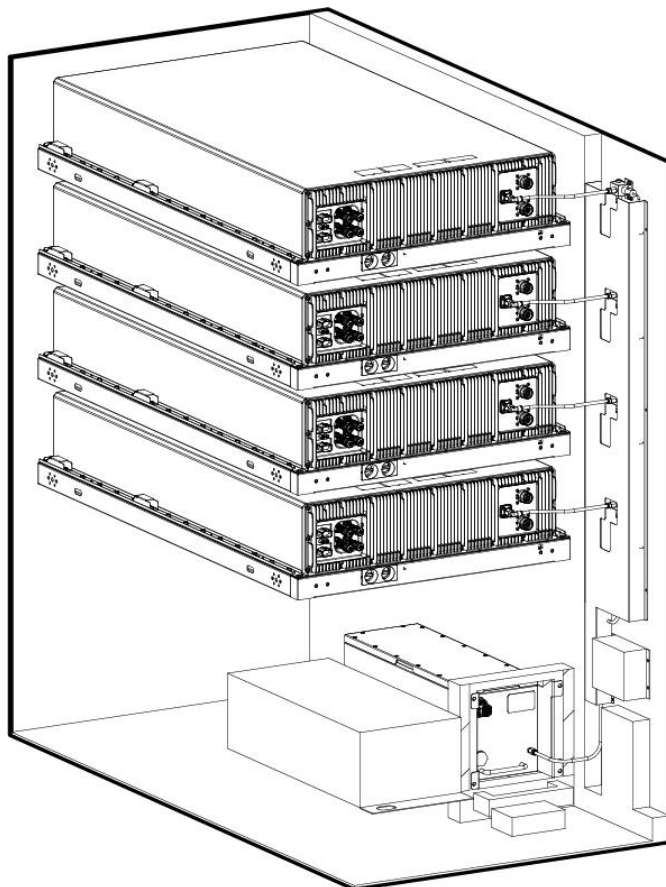
Only some models are equipped with the TRSD.

#### Working Principles

The TRSD is a PACK-level thermal runaway suppression system for the ESS and consists of the thermal runaway suppression box, PACK partition control valve, PACK extinguishant port, extinguishant pipes, and auxiliary power supply and distribution circuits.

The TRSD communicates with the ESS. When a thermal runaway alarm is generated for any PACK, the ESS sends a fault signal and PACK location information to the TRSD. After receiving the information, the TRSD starts to release extinguishant into the PACK. The heat in the PACK is absorbed quickly by the extinguishant to rapidly cool the PACK, thus suppress the thermal runaway process.

**Figure 2-19** TRSD



Technical Specifications	TRSD
Storage pressure (at 20°C)	2.5±0.2 MPa

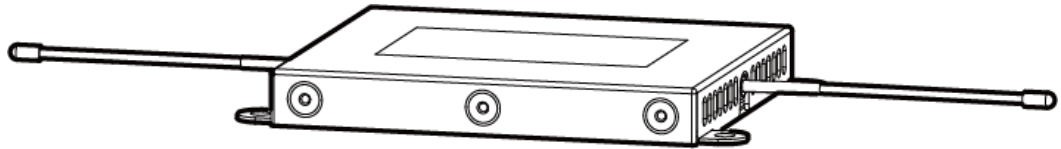
Technical Specifications	TRSD
Extinguishant	Perfluorohexanone
Extinguishant amount	5 kg
Type of compressed gas	Nitrogen (N <sub>2</sub> )
Communications mode	RS485 communication

### 2.4.4.3 Aerosol Fire Suppression Device

#### Working Principles

When the aerosol fire suppression device senses the high temperature, it automatically starts and releases a large amount of aerosol particles to quickly suppress the fire.

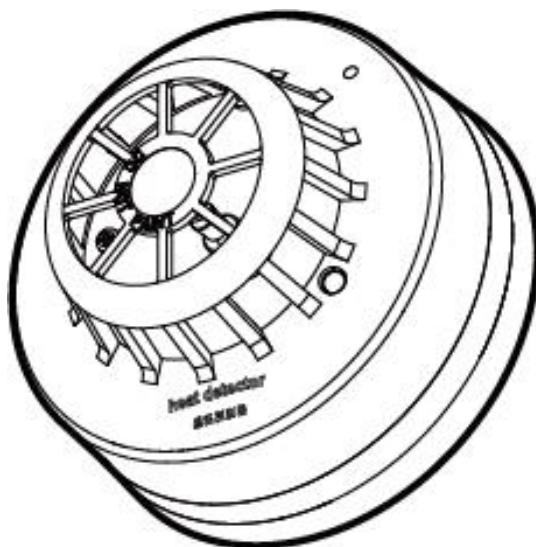
Figure 2-20 Aerosol fire suppression device



Technical Specifications	Aerosol Fire Suppression Device
Extinguishant	Aerosol
Startup mode	Hot start with temperature sensing
Startup temperature	185±15°C

### 2.4.4.4 Heat Detector (Optional)

Figure 2-21 Appearance



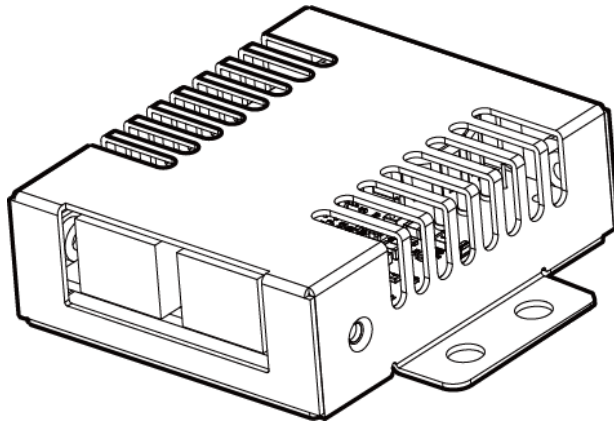
Technical Specifications	Heat Detector
Dimensions (diameter x height)	110 mm x 60 mm (with a base)
Installation mode	Securing with screws

**Table 2-17** Indicator description

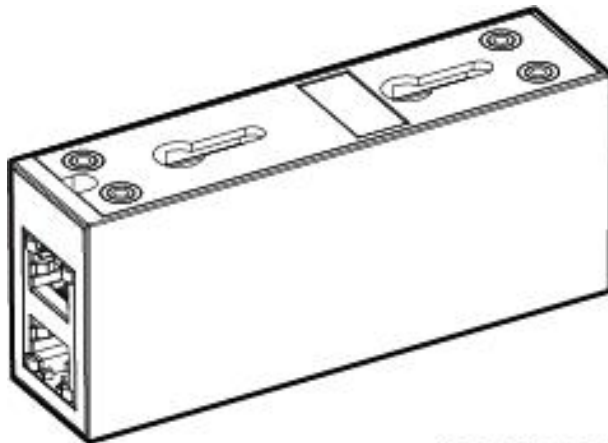
Name	Color	Status	Description
Indicator	Red	Steady on	The detector enters the alarm state.
		Blinking	The detector enters the monitoring state.

### 2.4.4.5 CO Sensor (Optional)

**Figure 2-22** Appearance of an explosion-proof CO sensor



**Figure 2-23** Appearance of a standard CO sensor



IB03W00001



Technical Specifications	Explosion-Proof CO Sensor	Standard CO Sensor
Output signal	RS485	RS485
Resolution	≤ 100 ppm or 1% LEL	≤ 30 ppm
Response time	≤ 30s	≤ 60s
Cabling mode	RJ45 network port	RJ45 network port
Installation mode	Securing with nuts	Gourd-shaped mounting hole/Nut/Magnet

**Table 2-18** CO sensor configuration

ESS Model	CO Sensor Type	CO Sensor Quantity
LUNA2000-215-2S10	Standard CO sensor	1
LUNA2000-215-2S12	Explosion-proof CO sensor	1

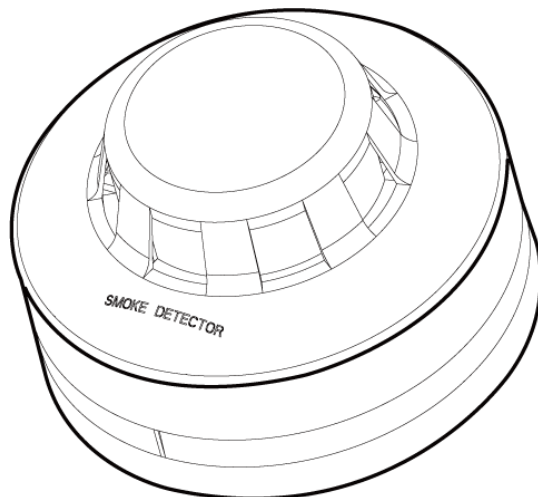
**Table 2-19** Indicator description

Name	Status	Description
Running indicator (normal)	Green	Normal
Fault indicator (fault)	Yellow	Fault
Alarm indicator (fire alarm)	Red	Alarm

#### 2.4.4.6 Smoke Detector

The smoke detector can detect the smoke concentration in the environment.

**Figure 2-24** Appearance



Technical Specifications	Smoke Detector
Dimensions (diameter x height)	110 mm x 60 mm (with a base)
Installation mode	Securing with screws

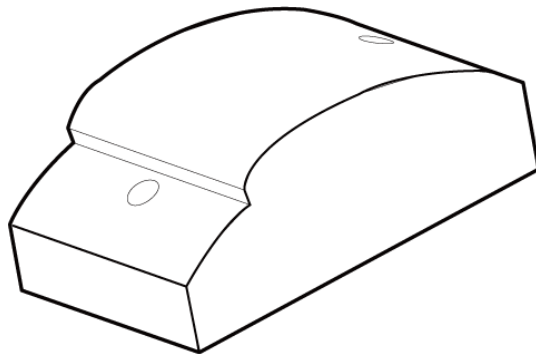
**Table 2-20** Indicator description

Name	Color	Status	Description
Indicator	Red	Steady on	The detector enters the alarm state.
		Blinking	The detector enters the monitoring state.

### 2.4.4.7 Fire Alarm Horn/Strobe

A fire alarm horn/strobe consists of a control board, alarm indicators, and a buzzer. After receiving warning signals from devices such as the heat detector and smoke detector, the fire alarm horn/strobe starts and generates audible and visual alarm signals indicating potential dangers.

**Figure 2-25** Fire alarm horn/strobe



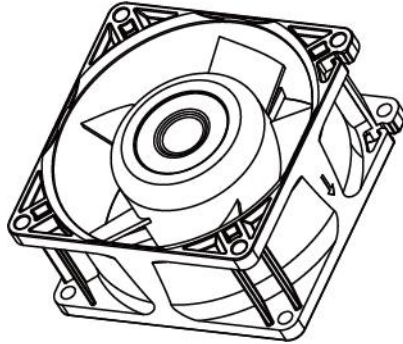
### 2.4.4.8 Exhaust Fan (Optional)

**NOTE**

Only some models are equipped with the exhaust fan.

The exhaust fan is the actuator of the active exhaust system. When the combustible gas is released from the battery, the exhaust fan reduces the concentration of combustible gas in the battery cabin.

Figure 2-26 Appearance



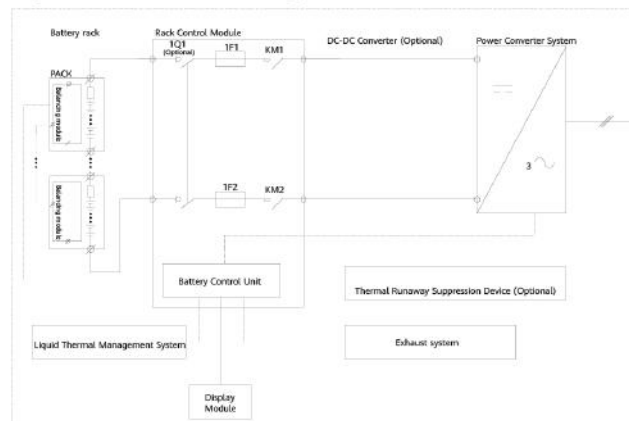
Technical Specifications	Exhaust Fan
Operating voltage	8–16 V DC

## 2.5 Working Principles

### 2.5.1 Circuit Diagram

Figure 2-27 Circuit diagram (215 kWh model)

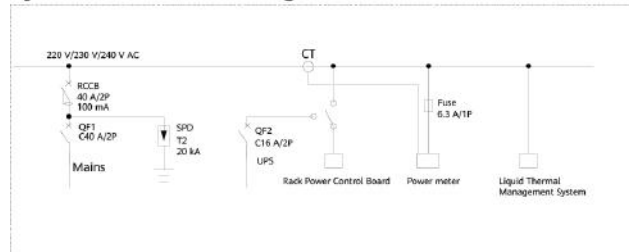
System Schematic Diagram



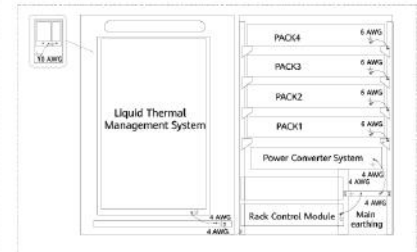
Layout Diagram



System Schematic Diagram



System Earthing



### 2.5.2 ESS Status

The ESS status includes running, standby, and shut down.

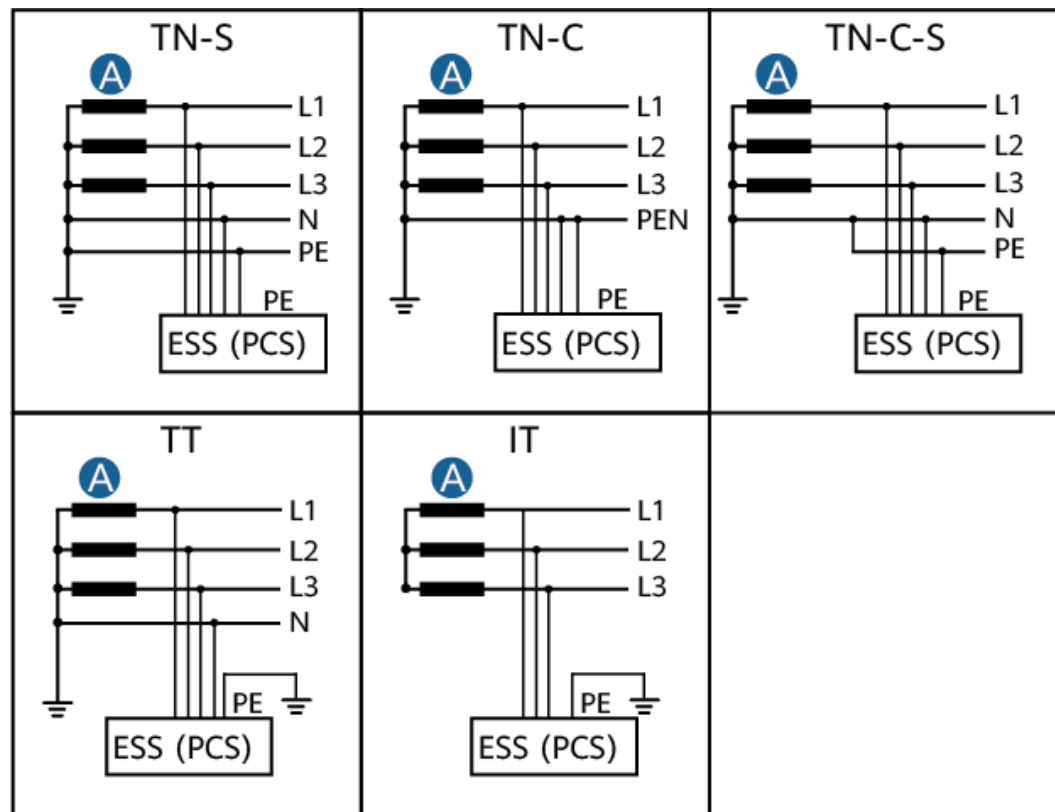
**Table 2-21** ESS status description

Status		Description
Running	Running: PQ mode	The ESS is running in PQ mode.
	Running: VSG mode	The ESS is running in VSG mode.
Standby		The ESS performs the initialization self-check.
Shut down	Shut down: on fault	The ESS enters the shutdown state due to a fault.
	Shut down: on command	The ESS enters the shutdown state upon receiving a shutdown command.

## 2.6 Earthing Systems

The ESS supports the TN-S, TN-C, TN-C-S, TT, and IT earthing systems.

**Figure 2-28** Earthing systems



ISO1510001-1

A: Transformer

# 3 Transportation Requirements

---

 **DANGER**

Load or unload batteries with caution. Otherwise, the batteries may be short-circuited or damaged (such as leakage and crack), catch fire, or explode.

---

---

 **WARNING**

Do not move a battery by holding its terminals, bolts, or cables. Otherwise, the battery may be damaged.

Keep batteries in the correct direction during transportation. They must not be placed upside down or tilted, and must be protected against falling down, mechanical impact, rains, snows, and falling into water during transportation.

---

- According to the UN *Recommendations on the Transport of Dangerous Goods: Model Regulations* (also referred to as TDG or UN Orange Book), batteries belong to class 9 dangerous goods and shall pass the related tests required in Part III Subsection 38.3 of the UN *Recommendations on the Transport of Dangerous Goods: Manual of Tests and Criteria*.
- Transportation and storage service providers must have the qualifications for dangerous goods operations required by local laws, regulations, and standards. Rigid box trucks shall be used for transportation and pickup trucks are prohibited.
- Comply with the latest international and national rules on the transportation and storage of dangerous goods, including but not limited to the *International Maritime Dangerous Goods Code (IMDG Code)*, *Agreement concerning the International Carriage of Dangerous Goods by Road (ADR)*, and China's transportation industry standards (JT/T 617) *Regulations concerning road transportation of dangerous goods*, as well as the requirements of the transportation regulatory authorities in the countries of departure, route, and destination. Before transportation and storage, properly pack, label, and mark products according to the local laws, regulations, and standards, and complete related product and packaging tests.
- Choose sea or roads in good conditions for transportation. Do not transport the equipment by railway or air. Avoid tilt or jolt during transportation.

- Before transportation, ensure that the battery packaging, labels, and markings are intact and there is no abnormal smell, leakage, smoke, or fire. Otherwise, the batteries must not be transported.
- The packing case must be solid and strong. Handle the packages with care and take moisture-proof measures during loading, transportation, and unloading. Do not place the packages on one side or upside down. Bind the packages securely to avoid displacement. Ensure that the dangerous goods labels are visible.
- Handle the ESS with care during loading, unloading, and transportation, and ensure that moisture-proof measures are in place. The product specifications upon delivery may be affected subsequently by the environment conditions, such as temperature, transportation, and storage.
- Unless otherwise specified, dangerous goods must not be mixed with goods containing food, medicine, animal feed, or their additives in the same vehicle or container, and sharp objects are not allowed in the same vehicle or container.
- If the local laws, regulations, and standards allow the mixed transportation of specified different dangerous goods and that of dangerous goods and common goods, the dangerous goods shall be isolated according to the local laws, regulations, and standards. If there is no specific local requirement, refer to the following requirements for isolation when dangerous goods and common goods are in the same vehicle or container:
  - Use a spacer that is as high as the packages.
  - Keep a distance of at least 0.8 m around.
- Before transporting a faulty battery (with scorch, leakage, bulge, or water intrusion), insulate its positive and negative terminals, pack it, and place it in an insulated explosion-proof box as soon as possible. Record information such as the site name, address, time, and fault symptom on the box.
- When transporting faulty batteries, avoid approaching flammable material storage areas, residential areas, or other densely populated places, such as mass transit facilities or elevators.
- Exercise caution when moving batteries to prevent bumping and ensure personal safety.
- Store batteries in a separate area away from heat sources. Protect batteries from moisture, water, and rain. Stack batteries according to the labels on the packing case. Do not stack batteries more than the allowed stacking layers. Do not place batteries on one side or upside down.
- When moving and transporting the LTMS, keep it upright. Do not place it horizontally or upside down. If the package of the LTMS is damaged or the tilt indicator on the package has changed color, contact the Company's service engineers.

# 4 Storage Requirements

---

## General Requirements

- Proof that the product is stored according to the requirements must be available, such as temperature and humidity log data, storage environment photos, and inspection reports.
- Store the product in a clean and dry place and protect it from dust and moisture. The product must be protected against rain and water.
- The air must not contain corrosive or flammable gases.
- Do not tilt the product or place it upside down.
- If equipment except battery packs has been stored for more than two years, it must be checked and tested by professionals before use.

## 4.1 ESS Storage and Charging

### Material Delivery Check

There must be a battery charge label on the packing case of the ESS. The charge label must specify the latest charge time and the next charge time.

### Storage Requirements

---

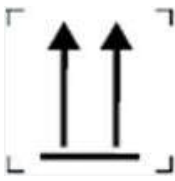


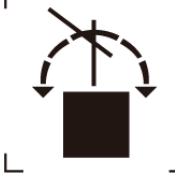

 **WARNING**

- You are advised to store the ESS in a dry, clean, and ventilated indoor environment that is free from sources of strong infrared or other radiations, organic solvents, corrosive gases, and conductive metal dust. Do not expose the ESS to direct sunlight or rain. Keep the ESS far away from sources of heat and fire.
  - Store the ESS separately to avoid mixing with other equipment. The site must be equipped with qualified fire fighting facilities, such as fire sand and fire extinguishers.
-

**CAUTION**

It is recommended that the ESS be used soon after being deployed onsite. The ESS that has been stored for an extended period shall be charged periodically. Otherwise, the ESS may be damaged.

- Place the ESS correctly according to the signs on the packing case during storage. Do not place the ESS upside down, lay it on one side, or tilt it.
- The ESS packaging signs are described as follows.

Name	Symbol	Description
This way up		The package shall be kept upright during transportation and storage.
Fragile		The package contains fragile objects and shall be handled with care.
Keep dry		The package shall be protected against rain, and rainproof measures shall be taken during transportation and storage.
Do not roll		The package shall not be rolled during transportation.
Do not stack		The package shall not be stacked.

- The storage environment requirements are as follows:
  - Ambient temperature: -35°C to +60°C (0°C to 30°C are recommended. If the ESS is stored at a temperature higher than 40°C for extended periods, the battery performance and service life may be deteriorated.)
  - Relative humidity: 5%–95% RH (recommended: about 45% RH)
  - Dry, clean, and well-ventilated
  - Away from corrosive organic solvents and gases



- Away from direct sunlight
- At least 2 m away from heat sources
- The ESS must be disconnected from external equipment during storage, and the ESS indicators must be off.
- The storage duration starts from the latest charge time labeled on the ESS packaging. If the ESS is qualified after charge, update the latest charge time (recommended format: YYYY-MM-DD HH:MM) and the next charge time (Next charge time = Latest charge time + Charge interval) on the label.
- The following table lists the maximum ESS charge intervals. Charge the ESS promptly and calibrate the SOC to at least 50%. Otherwise, the battery performance and service life may be deteriorated.

Storage Temperature (T)	Maximum Charge Interval <sup>a</sup>
$-35^{\circ}\text{C} \leq T \leq +30^{\circ}\text{C}$	15 months
$30^{\circ}\text{C} < T \leq 40^{\circ}\text{C}$	11 months
$40^{\circ}\text{C} < T \leq 60^{\circ}\text{C}$	7 months
Note a: The interval starts from the latest charge time labeled on the ESS packaging.	

- When stored in low SOC, the ESS must be charged within the maximum interval corresponding to the SOC when the batteries are powered off. If the ESS is not charged within the specified interval, the batteries may be damaged due to overdischarge.

Power-Off SOC Before Storage	Maximum Charge Interval
$\text{SOC} \geq 50\%$	Refer to the charge intervals for batteries delivered separately.
$5\% \leq \text{SOC} < 50\%$	20 days
$\text{SOC} < 5\%$	48 hours

- Do not remove the packaging from the ESS. If charging is necessary, the ESS must be charged by professionals as required and then returned to their original packaging after charging.
- The warehouse keeper shall collect the ESS storage information every month and periodically report the ESS inventory information. The ESS in long-term storage must be charged promptly.

**⚠ CAUTION**

- Only trained and qualified personnel are allowed to charge batteries. Wear insulated gloves and use dedicated insulated tools during the operation.
  - Observe onsite during charge and handle any exceptions in a timely manner.
  - If a battery experiences an abnormality such as bulging or smoking during charge, stop charging immediately and dispose of it.
- 
- AC mains input voltage requirements for charging:
    - 220 V (three-phase 380–480 V AC and single-phase 176–300 V AC)
    - AC input power cables used for charging the ESS in the warehouse must have a through-current capacity greater than 60 A.
  - If the ESS has been stored for longer than allowed, promptly report the condition to the person in charge.
  - Ensure that the ESSs are delivered on a "first-in, first-out" basis.
  - Handle the ESS with care to prevent damage.

### Maximum ESS Storage Periods

- Do not store the ESS for extended periods.
- The following table lists the maximum ESS charge intervals. Charge the ESS promptly and calibrate the SOC to at least 50%. Otherwise, the battery performance and service life may be deteriorated.

Storage Temperature (T)	Maximum Charge Interval <sup>a</sup>
$-35^{\circ}\text{C} \leq T \leq +30^{\circ}\text{C}$	15 months
$30^{\circ}\text{C} < T \leq 40^{\circ}\text{C}$	11 months
$40^{\circ}\text{C} < T \leq 60^{\circ}\text{C}$	7 months
Note a: The interval starts from the latest charge time labeled on the ESS packaging.	

- If the ESS has been stored for longer than allowed, promptly report the condition to the person in charge.
- Dispose of a deformed, damaged, or leaking ESS directly irrespective of how long it has been stored.
- The storage duration starts from the latest charge time labeled on the ESS packaging. If the ESS is qualified after charge, update the latest charge time (recommended format: YYYY-MM-DD HH:MM) and the next charge time (Next charge time = Latest charge time + Charge interval) on the label.
- Batteries can be charged for a maximum of three times during storage. Dispose of batteries if the maximum charge times are exceeded.

### Preparing Charging Devices

- Multimeter

- Clamp meter
- Insulated torque socket wrench

## Checking the ESS Before Charging

1. Check the ESS exterior to ensure that the ESS is qualified before charging.
2. The ESS is qualified if it is free from the following symptoms:
  - Deformation
  - Enclosure damage
  - Leakage

## Full Charge Strategy

The charging ambient temperature ranges from 15°C to 40°C.

## Charging Procedure

### NOTE

Prepare the ESS that is qualified for charging.

- Step 1** Remove the ESS packaging and open the ESS door.
- Step 2** Connect the PCS port of the ESS to the 380–480 V AC power grid.
- Step 3** Connect the ESS auxiliary power supply to the single-phase 176–264 V power distribution cabinet.
- Step 4** Connect the preinstalled BAT+ and BAT– power cables of the RCM to the general BAT+ and BAT– terminals of battery packs.
- Step 5** (Optional) Turn on the RCM disconnecter.
- Step 6** Turn on the general power circuit breaker of the power distribution cabinet outside the ESS.
- Step 7** Turn on the auxiliary power circuit breaker of the power distribution cabinet outside the ESS.
- Step 8** (Optional) Turn on the auxiliary power circuit breakers QF1 and QF2 of the RCM (applicable when the UPS is used).
- Step 9** Press the WiFi button on the ESS door for more than 3 seconds, and connect to the ESS on the FusionSolar app.
- Step 10** Log in to the FusionSolar app and perform charging operations.

----End

## 4.2 Battery Storage and Single Battery Charge

When batteries are stored as spare parts and will not be used immediately, the following storage requirements must be met:

## Material Delivery Check

There must be a battery charge label on the packing case. The charge label must specify the latest charge time and the next charge time.

## Storage Requirements

---

### WARNING

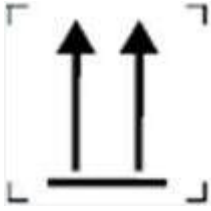


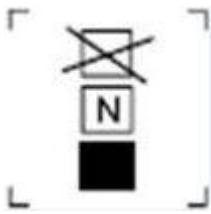
- Ensure that batteries are stored in a dry, clean, and ventilated indoor environment that is free from sources of strong infrared or other radiations, organic solvents, corrosive gases, and conductive metal dust. Do not expose batteries to direct sunlight or rain and keep them far away from sources of heat and ignition.
- If a battery is faulty (with scorch, leakage, bulge, or water intrusion), move it to a dangerous goods warehouse for separate storage. The distance between the battery and any combustible materials must be at least 3 m. The battery must be scrapped as soon as possible.
- Place batteries correctly according to the signs on the packing case during storage. Do not place batteries upside down, lay them on one side, or tilt them. Stack batteries in accordance with the stacking requirements on the packing cases.
- Store batteries in a separate place. Do not store batteries together with other devices. Do not stack batteries too high. The site must be equipped with qualified fire fighting facilities, such as fire sand and fire extinguishers.
- After batteries are powered off, static power consumption and self-discharge loss may occur in internal modules, which may cause battery damage due to overdischarge. Do not store batteries in low SOC and charge batteries in a timely manner. Permanent battery faults caused by delayed charge are not covered by the warranty. Storing the batteries in low SOC occurs in scenarios including but not limited to the following:
  - The power cables or signal cables are not connected.
  - The batteries cannot be charged due to a system fault after discharge.
  - The batteries cannot be charged due to incorrect configurations in the system.
  - The batteries cannot be charged due to long-term mains failure.
  - The batteries cannot be charged because the switch of the Smart Rack Controller, Smart PCS, or main loop component is off.

---

### CAUTION

It is recommended that batteries be used soon after being deployed onsite. Batteries that have been stored for an extended period shall be charged periodically. Otherwise, they may be damaged.

- 
- Packaging label description

Label	Description
	This way up: The package shall be vertically oriented during transport and storage.
	Fragile: The package contains fragile objects and shall be handled with care.
	Keep dry: The package shall be kept away from rain.
	Stacking limit by number: The packages shall not be vertically stacked beyond the specified number. The actual label may vary.

- The storage environment requirements are as follows:
  - Ambient temperature:  $-40^{\circ}\text{C}$  to  $+60^{\circ}\text{C}$  ( $0^{\circ}\text{C}$  to  $40^{\circ}\text{C}$  are recommended. If batteries are stored at a temperature higher than  $40^{\circ}\text{C}$  for extended periods, the battery performance and service life may be deteriorated.)
  - Relative humidity: 5%–95% RH (recommended: about 45% RH)
  - Dry, clean, and well-ventilated
  - Away from corrosive organic solvents and gases
  - Away from direct sunlight
  - At least 2 m away from heat sources
- The batteries in storage must be disconnected from external devices. The indicators (if any) on the batteries must be off.
- The storage duration starts from the latest charge time labeled on the battery package. If a battery is qualified after charge, update the latest charge time (recommended format: YYYY-MM-DD HH:MM) and the next charge time (Next charge time = Latest charge time + Charge interval) on the label.
- The following table lists the maximum charge intervals for batteries delivered separately. Charge the ESS promptly and calibrate the SOC to at least 50%. Otherwise, the battery performance and service life may be deteriorated.

Storage Temperature (T)	Maximum Charge Interval <sup>a</sup>
$-40^{\circ}\text{C} \leq T \leq +30^{\circ}\text{C}$	15 months
$30^{\circ}\text{C} < T \leq 40^{\circ}\text{C}$	11 months
$40^{\circ}\text{C} < T \leq 60^{\circ}\text{C}$	7 months
Note a: The interval starts from the latest charge time labeled on the battery package.	

- When stored in low SOC, the batteries must be charged within the maximum interval corresponding to the SOC when the batteries are powered off. If the batteries are not charged within the specified interval, they may be damaged due to overdischarge.

Power-Off SOC Before Storage	Maximum Charge Interval
$\text{SOC} \geq 50\%$	Refer to the charge intervals for batteries delivered separately.
$5\% \leq \text{SOC} < 50\%$	20 days
$\text{SOC} < 5\%$	48 hours

- Do not unpack batteries. If charging is necessary, they must be charged by professionals as required and then returned to their original packaging after charging.
- The warehouse keeper shall collect battery storage information every month and periodically report the battery inventory information. The batteries in long-term storage shall be charged in a timely manner.

---

 **CAUTION**

- Only trained and qualified personnel are allowed to charge batteries. Wear insulated gloves and use dedicated insulated tools during the operation.
  - Observe onsite during charge and handle any exceptions in a timely manner.
  - If a battery experiences an abnormality such as bulging or smoking during charge, stop charging immediately and dispose of it.
- 
- AC mains input voltage requirements for charging:
    - 220 V (three-phase 260–530 V AC or single-phase 176–300 V AC)
    - 110 V (three-phase 130–265 V AC or single-phase 90–175 V AC)
    - AC input power cables used for charging in the warehouse must have a through-current capacity greater than 40 A.
  - If batteries have been stored for longer than allowed, promptly report the event to the person in charge.
  - Ensure that batteries are delivered based on the "first in, first out" rule.

- Handle batteries with caution to avoid damage.

## Conditions for Determining Overdue Storage of Battery Packs

- Do not store batteries for extended periods.
- The following table lists the maximum charge intervals for batteries delivered separately. Charge the ESS promptly and calibrate the SOC to at least 50%. Otherwise, the battery performance and service life may be deteriorated.

Storage Temperature (T)	Maximum Charge Interval <sup>a</sup>
$-40^{\circ}\text{C} \leq T \leq +30^{\circ}\text{C}$	15 months
$30^{\circ}\text{C} < T \leq 40^{\circ}\text{C}$	11 months
$40^{\circ}\text{C} < T \leq 60^{\circ}\text{C}$	7 months
Note a: The interval starts from the latest charge time labeled on the battery package.	

- If batteries have been stored for longer than allowed, promptly report the event to the person in charge.
- Dispose of deformed, damaged, or leaking batteries directly irrespective of how long they have been stored.
- The storage duration starts from the latest charge time labeled on the battery package. If a battery is qualified after charge, update the latest charge time (recommended format: YYYY-MM-DD HH:MM) and the next charge time (Next charge time = Latest charge time + Charge interval) on the label.
- Batteries can be charged for a maximum of three times during storage. Dispose of batteries if the maximum charge times are exceeded.

## Preparing Charging Devices

- Multimeter
- Clamp meter
- Insulated torque socket wrench
- Charger

## Inspection Before Charge

1. Before charging a battery, you need to check its appearance. Charge the qualified battery or dispose of the unqualified one.
2. The battery is qualified if it is free from the following symptoms:
  - Deformation
  - Shell damage
  - Leakage
3. Check that the accessories are complete based on the packing list delivered with the charger.

## Full Charge Strategy

The charging ambient temperature ranges from 15°C to 40°C.

Charge and Discharge Current (Unit: Ampere)	Charging Duration (Excluding Equalization)
15	19 hours (fully discharge the battery and then charge the battery to 50% SOC)
40 <sup>[1]</sup>	8 hours (fully discharge the battery and then charge the battery to 50% SOC)
Note 1: In three-phase input mode, use the 380 V AC/40 A power cable delivered with the charger.	

## Charging Procedure

### NOTE

- Prepare battery packs that are qualified for charging.
- You need to purchase the communications cables and positive and negative DC input cables used with the charger from the Company.
- You need to purchase the BCU and its communications cables from the Company.

- Step 1** Connect the communications cable from the communications port of the charger to the FE communications port of the BCU.
- Step 2** Connect the communications cable from the CON communications port 1 of the BCU to the communications port of the battery pack.
- Step 3** Connect the positive and negative DC input power cables from the charger power ports to the battery pack power ports (general power ports).
- Step 4** Connect the AC INPUT port on the charger to the utility power source using the power cable delivered with the charger.
- Step 5** Turn on the AC circuit breaker of the charger.
- Step 6** Turn on the DC circuit breaker of the charger.
- Step 7** Operate the charger according to its manual.
- Step 8** After the charge and discharge are complete, wait until the fan in the charger keeps running for about 5 minutes to dissipate the residual heat, turn off the AC and DC circuit breakers, and remove the cables.

----End

## 4.3 RCM/PCS/LTMS Storage

When devices are stored as spare parts and will not be put into use immediately, the following storage requirements must be met:



- If devices are unpacked but will not be used immediately, put them back to the original packaging with the desiccant, and seal with tape.
- When temporarily storing devices outdoors, do not stack them on a pallet. Take rainproof measures such as using tarpaulins to protect devices from rain and water.
- Storage temperature:  $-35^{\circ}\text{C}$  to  $+60^{\circ}\text{C}$ ; relative humidity: 5%–95% RH
- Do not remove the packaging. Check the packaging regularly (recommended: once every three months). Replace any packaging that is damaged during storage.
- Do not store devices for more than two years. If devices have been stored for two years or longer, they must be checked and tested by professionals before being put into use.
- To avoid personal injury or device damage, exercise caution when stacking devices to prevent them from falling over.

## 4.4 Storage Requirements for Thermal Runaway Suppression System Equipment

- At room temperature (about  $25^{\circ}\text{C}$ ), charge the backup battery of the thermal runaway suppression system equipment at least once every six months. The charge interval is halved for every  $10^{\circ}\text{C}$  increase in temperature.
- When the thermal runaway suppression system equipment is stored as spare parts, the ambient temperature shall range from  $0^{\circ}\text{C}$  to  $50^{\circ}\text{C}$  and the humidity shall be less than or equal to 95% RH.

# 5 Site Requirements

## 5.1 Site Selection Requirements

### NOTICE

The ESS site selection and fire safety must comply with local laws and regulations. Reference standards include but are not limited to the *NFPA 855 Standard for the Installation of Stationary Energy Storage Systems*.

- The horizontal level of the installation site shall be above the highest water level of that area in history and at least 300 mm above the ground. The site must not be located in a low-lying land.
- The ESS and the site must be in an environment free from explosion risks.
- Transportation to the site shall be convenient and fire suppression facilities shall be reliable.

### NOTE

- When installing, commissioning, and operating the ESS, ensure that at least two gas fire extinguishers, such as heptafluoropropane, perfluorohexanone, or carbon dioxide fire extinguishers, are provided near each unit to ensure fire safety.
- Reserve sockets for the water fire suppression system at the ESS site.
- The ESS shall be installed more than 30 m away from the third-party wireless communication facilities.
- The site shall be in a well-ventilated place.

Do not select the sites that are not recommended by industry standards and regulations, including but not limited to the following areas:

- Areas with sources of strong vibration, loud noises, and strong electromagnetic interference
- Areas with dust, oil fumes, harmful gases, corrosive gases, etc.
- Areas with corrosive, flammable, and explosive materials
- Areas with existing underground facilities

- Areas with adverse geological conditions such as rubbery soil and soft soil layer, or prone to waterlogging and land subsidence
- Under a reservoir, water landscape, and water room

 **NOTE**

- If areas prone to waterlogging cannot be avoided, install water blocking and drainage facilities or raise the ground.
  - Cable trenches shall not be used for drainage. Fire retardant sealing shall be implemented at cable holes (such as holes through partition walls and floors).
  - Areas prone to earthquakes and with seismic fortification intensity higher than 9
  - Areas prone to debris flow, landslide, quicksand, karst caves, and other direct hazards
  - Areas within the mining land subsidence (dislocation) zone
  - Areas within the scope of blasting hazard
  - Areas prone to flood due to a dam or levee failure
  - Protection areas for important water supply sources
  - Protection areas for historic relics
  - Populated areas, high-rise buildings, and underground buildings
  - Intersections and busy roads of urban main roads
  - Do not install the ESS indoors. The requirements for selecting an outdoor site are as follows:
    - There must be no combustible materials within 3 m of the ESS or the site to prevent fire from spreading. (Exemption: Single specimens of trees, shrubbery, or cultivated ground cover such as green grass, ivy, succulents, or similar plants used as ground covers shall be permitted to be exempt provided that they do not form a means of readily transmitting fire.)
    - You are advised not to add any overhead structure above the ESS. If an overhead structure is necessary in special scenarios, the following conditions must be met:
      - The distance between the overhead structure and the top of the ESS shall be greater than 3 m.
      - The overhead structure shall be non-combustible.
- If the overhead structure may be damaged in extreme cases, the Company shall not be liable for any damage to the overhead structure.
- The distance between the ESS and residential buildings must be greater than or equal to 12 m, and the distance between the ESS and densely populated buildings such as schools and hospitals must be greater than 30.5 m. If the distance does not meet the requirement, fire walls shall be installed between the ESS and the buildings.
  - The safety distances between the ESS and buildings shall comply with local fire protection regulations or standards.
    - The ESS located outdoors must be at least 10 ft (3.048 m) away from lot lines, public ways, buildings, combustible materials, hazardous materials, high-piled stock, parking spaces, and other exposure hazards not associated with electrical grid infrastructure.

- If either of the following conditions is met, the distance between the ESS and the production building shall be permitted to be reduced to 3 ft (0.914 m). In addition, clearance requirements for equipment transportation, installation, and maintenance shall be considered.
  - There are 1-hour freestanding fire walls, extending 5 ft (1.5 m) above and extending 5 ft (1.5 m) beyond the physical boundary of the ESS installation.
  - Non-combustible exterior walls with no openings or combustible overhangs are provided on the walls adjacent to the ESS and the fire resistance rating of the exterior walls complies with 2-hour fire resistance rating of ASTM E119 or UL 263.
- The distance between the exhaust device of an ESS and the heating and ventilation vents, air intake vents of air conditioners, windows, doors, unloading platforms, and fire sources of other buildings or facilities must be greater than 4.6 m.
- In areas where no standards or requirements are applicable, the distance between the ESS and production buildings can be reduced to greater than 0.4 m.
- The ESS shall not be installed in salt-affected or polluted areas because this will cause corrosion. The ESS shall be used in the following or better environments:
  - Outdoor environment more than 2000 m away from the coast. You are advised not to use the ESS in an area within 2000 m of the coast. (If you need to use it, confirm with the vendor or the Company's engineers.)
  - More than 3000 m away from heavy pollution sources such as smelteries, coal mines, and thermal power plants
  - More than 2000 m away from medium pollution sources such as chemical, rubber, and electroplating industries
  - More than 1000 m away from light pollution sources such as packing houses, tanneries, boiler rooms, slaughterhouses, landfill sites, and sewage treatment plants

 **NOTE**

You are advised to select another site if the safety distance for a site cannot meet the requirements of relevant national standards.

**Security fencing:**

It is recommended that physical walls or fences be used for isolation and protection in the energy storage equipment area. The fences shall be equipped with a door lock and the recommended fence height is greater than 2.2 m. Fire walls shall be permitted to be substituted for part or all of the fences, depending on the actual design plans.

## 5.2 Clearance Requirements

### NOTICE

The following figures show the minimum clearance requirements for installation and O&M. The equipment clearances must also meet the site selection requirements (see [5.1 Site Selection Requirements](#)).

Figure 5-1 Clearance requirement 1

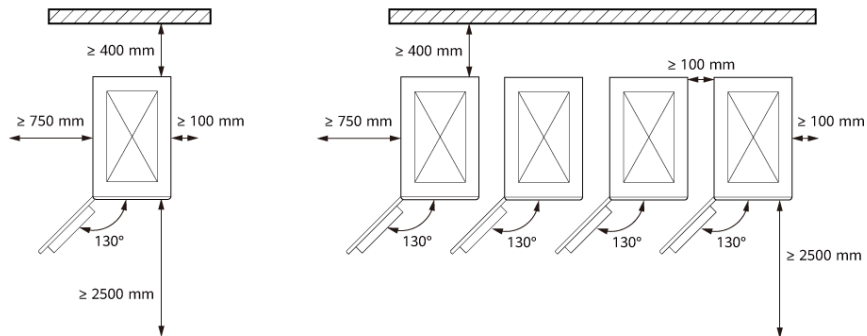
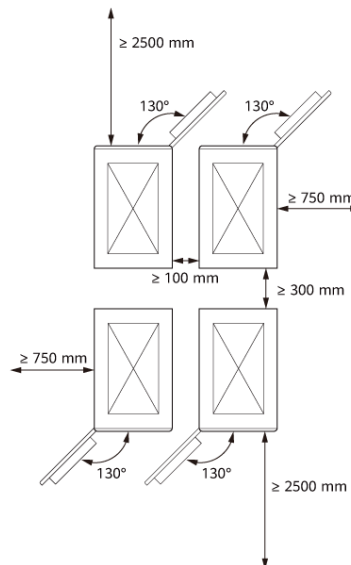


Figure 5-2 Clearance requirement 2



## 5.3 Foundation Requirements

Requirements for foundation design solution:

- The ESS must be installed on concrete or other non-combustible surfaces. Ensure that the installation surface is horizontal, secure, flat, and has sufficient load-bearing capacity. Subsidence or slope is not allowed.
- The foundation shall sustain the total weight of the equipment. If the load-bearing capacity of the foundation does not meet the requirement, a review is required.
- The bottom of the excavated foundation must be compacted and flat.
- After the foundation is excavated, prevent water from entering the foundation. If water enters the foundation, excavate and refill the affected parts.
- The levelness tolerance between the foundation and the contact surface of the cabinet must be less than or equal to 3 mm.
- The foundation must be above the highest water level of the local area in history and at least 300 mm above the ground.
- Construct drainage facilities based on the local geological conditions and municipal drainage requirements to ensure that no water will accumulate at the equipment foundation. The foundation construction must meet the local drainage requirements for the maximum historical rainfall. The drained water must be disposed of in accordance with local laws and regulations.
- Reserve trenches or cable inlets for the ESS during foundation construction.
- The reserved holes on the foundation and the cable inlets at the bottom of the equipment shall be sealed.
- Contact the product manager of the Company to obtain the foundation drawings. The design specifications of the ESS foundation shall be reviewed based on the installation environment, ground bearing capacity, geological features, and seismic resistant requirements of the project site.

## 5.4 Forklift Requirements

- If a forklift is used to install the ESS cabinet, ensure that the forklift has a load-bearing capacity of at least 3 t.
- It is recommended that the length of the tynes be greater than or equal to 1800 mm, the width be 230–300 mm, and the thickness be 25–80 mm.
- Lifting height of a forklift: If the foundation is less than or equal to 0.3 m high, the lifting height shall be greater than or equal to 2 m. If the foundation is greater than 0.3 m high, the lifting height shall be increased accordingly.

## 5.5 Hoisting Requirements

- Before hoisting, ensure that the crane and hoisting ropes meet the load-bearing requirements.
- When installing or removing the hoisting equipment, do not drag it on the cabinet to prevent scratches.

Stage	Precaution
Before hoisting	Crane hoisting capacity $\geq 3$ t, operating radius $\geq 2$ m. If the onsite environment does not meet the required working conditions, ask a professional to assess the conditions.
	Only trained and qualified personnel are allowed to perform hoisting operations.
	Check that hoisting tools are complete and in good condition.
	Ensure that the hoisting tools are secured to a load-bearing object or wall.
	For outdoor use, you are advised to hoist the equipment on sunny days without wind.
	Ensure that the crane and steel hoisting ropes meet the requirements before the hoisting.
	Ensure that all doors of the equipment are closed and locked.
	Ensure that the steel hoisting ropes are securely connected.
	It is recommended that the equipment be hoisted from left to right or from right to left.
During hoisting	Do not allow any unauthorized person to enter the hoisting areas and do not stand under the crane arm.
	Ensure that the crane is properly located and avoid long-distance hoisting.
	Keep the cabinet stable and horizontal during hoisting, and ensure that the diagonal gradient of the cabinet is less than or equal to 5 degrees.
	Ensure that the angle between two ropes is less than or equal to 90 degrees.
	Lift and land the cabinet slowly to prevent shock to equipment inside it.
	Remove the ropes after ensuring that the cabinet is placed evenly on the cabinet base.
	Do not drag steel ropes or lifting appliances. Protect the equipment from collision.
	Secure the cabinet you have hoisted before hoisting another cabinet.

# 6 Installation

## NOTICE

Do not open the cabinet door when the humidity is high (relative humidity  $\geq 80\%$  continuously), for example, on rainy days. If you need to open the cabinet door on rainy days, take protection measures to prevent water from entering the cabinet as this may result in equipment failure. If the cabinet door is open for 0.5 hour or longer when the humidity is high, manually perform forced dehumidification. Otherwise, the equipment may fail or the microgrid may collapse.

Check **Scenario** on the SmartLogger WebUI. For details, see [SmartLogger3000 User Manual](#).

Perform dehumidification as follows:

1. Check that the auxiliary AC power supply to the ESS is powered on. In off-grid scenarios, the genset or other external auxiliary power supply is used. In on/off-grid scenarios, the power grid supplies auxiliary power when available.
2. Log in to the SmartLogger WebUI and choose **Monitoring > ESS > Running Param.**
3. Choose **Basic Parameters** and set **Forced dehumidification control** to **start-up**.
4. Click **Submit**. After the setting is successful, the manual dehumidification starts. View the alarm information to check that the system has started forced dehumidification. The alarm will be automatically cleared after the dehumidification is complete, which takes more than 10 minutes.

## 6.1 Pre-installation Check

### WARNING

Take protective measures for working at heights during unpacking.



**NOTICE**

- To prevent the equipment from falling over, secure it to a pallet truck or forklift using ropes before moving it. Move the equipment with caution to avoid bumping or falling, which may damage the equipment.
- After placing the equipment in the installation position, unpack it with care to prevent scratches. Keep the equipment stable during unpacking.
- If the installation environment is poor, take dustproof and anti-condensation measures (for example, use a dust cover, plastic film, or fabric cloth) after unpacking batteries to prevent condensation and dust buildup, which may corrode the batteries.







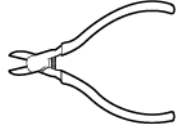
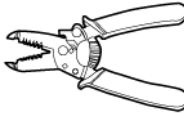



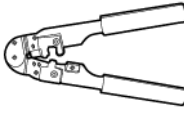
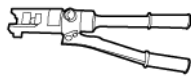


Check Item	Criteria	Precaution
Checking the outer packaging before unpacking	Check whether the outer packaging is damaged, such as holes, cracks, or other signs of internal damage. If any damage is found, do not unpack the equipment. Contact your vendor as soon as possible.	You are advised to remove the outer packaging within 24 hours before installing the equipment.
	Check the equipment model. If the equipment model is incorrect, do not unpack the equipment. Contact your vendor as soon as possible.	None
	Check whether there is a tilt indicator label on the outer packaging. If the tilt indicator turns red or any signs of water ingress and sealing damage are found, stop unpacking, check for causes immediately, and contact your vendor as soon as possible.	None
Checking deliverables after unpacking	Check whether the deliverables are complete, and whether there is any obvious external damage. If any item is missing or damaged, contact your vendor.	For details about the quantity of deliverables, see the <i>packing list</i> in the packing case.
Checking cables after unpacking	After unpacking, check whether the fastening components and removable components are loose. If they are loose, notify the carrier and manufacturer immediately.	None

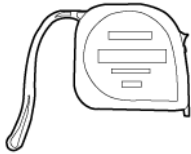


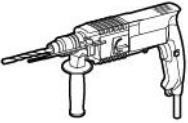





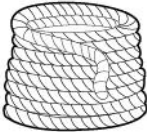


Check Item	Criteria	Precaution
	Check that ground cables of the PACK, PCS, RCM, LTMS, and LCC are connected. If the ground cables are not connected, contact your vendor.	None
	Check whether the BAT+ and BAT- terminals on the RCM side are connected to cables, and whether the general power terminals on the PACK side are disconnected from the RCM. If the cables on the RCM side are not connected or the terminals on the PACK side are not disconnected, contact your vendor.	None
	Check whether the LTMS coolant is above the <b>Min</b> scale. If the coolant is insufficient, refill the coolant promptly.	None
	Check that all switches of the PACK, PCS, RCM, and LTMS are turned off. If the switches are not turned off, contact your vendor.	None
	Check whether cables of the PACK, PCS, RCM, and LTMS are connected. If the cables are not connected, contact your vendor.	None
	(Optional) Check whether the PACK-level TRSD is available and whether cables are properly connected. If the PACK-level TRSD cables are not connected, contact your vendor.	This check item applies to the ESS equipped with a PACK-level TRSD.










## 6.2 Preparing Tools

 NOTE

- The tool pictures are for reference only.
- The tool tables may not list out some tools required onsite. Onsite installation personnel and the customer need to prepare the tools based on the site requirements.

Installati on tool	  Phillips insulated torque screwdriver	  Insulated torque socket wrench (including an extension bar) <ul style="list-style-type: none"> <li>• Socket specification s: 7–19 mm</li> <li>• Socket depth <math>\geq 32</math> mm</li> <li>• The socket connector matches the torque wrench.</li> <li>• Torque range: 1.2–45 N·m</li> </ul>	  Flat-head insulated torque screwdriver	 Diagonal pliers
	 Wire stripper	 Cable cutter	 Rubber mallet	 Utility knife
	 RJ45 crimping tool	 Hydraulic pliers	 Needle-nose pliers	 Marker

 <p>Steel measuring tape</p>	 <p>Level</p>	 <p>Multimeter                      DC voltage measurement range <math>\geq 1500</math> V DC</p>	 <p>Hammer drill</p>
 <p>Hammer drill bit  <math>\Phi 16</math> mm</p>	 <p>Heat shrink tubing</p>	 <p>Heat gun</p>	 <p>Cable tie</p>
 <p>Insulated ladder (height <math>\geq 1.7</math> m)</p>	 <p>Lifting rope                      Rope length <math>\geq 2110</math> mm x 4</p>	 <p>Vacuum cleaner</p>	 <p>Powered industrial forklift (load-bearing capacity <math>\geq 3</math> t; recommended tyne dimensions: length <math>\geq 1800</math> mm, width 230–300 mm, thickness 25–80 mm)</p>

	 Crane (hoisting capacity $\geq 3$ t; operating radius $\geq 2$ m)	-	-	-
PPE	 Insulated gloves	 Protective gloves	 Goggles	 Dust mask
	 Insulated shoes	 Reflective vest	 Safety helmet	 Safety harness

## 6.3 Installing the ESS

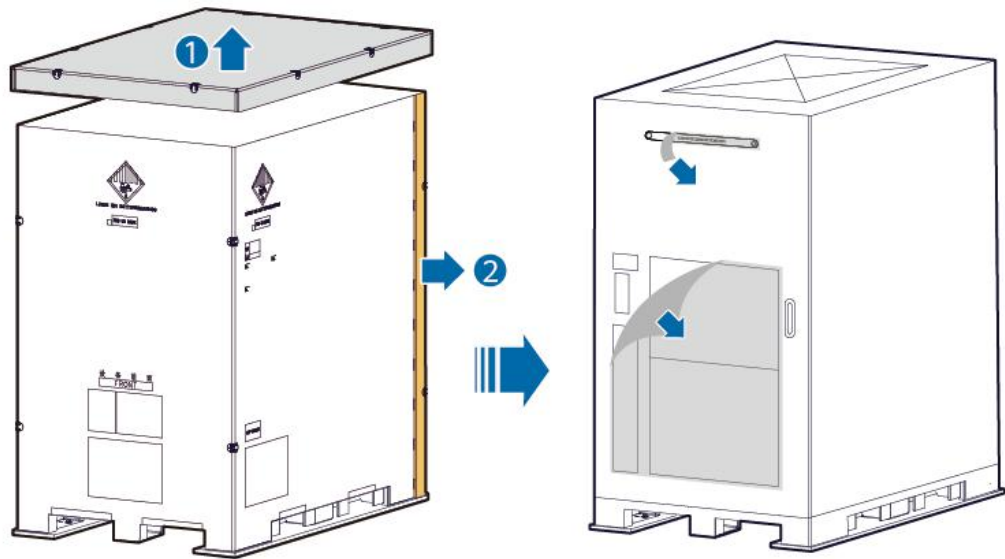
### NOTICE

- Properly keep the top cover of the outer packaging, as it will be used as the template for drilling holes to facilitate securing the ESS.
- After removing the bottom pallets in [Step 3](#), properly keep the washers, as they will be used with the expansion bolts to secure the ESS.

**Step 1** Remove the top cover of the ESS outer packaging and keep it properly.

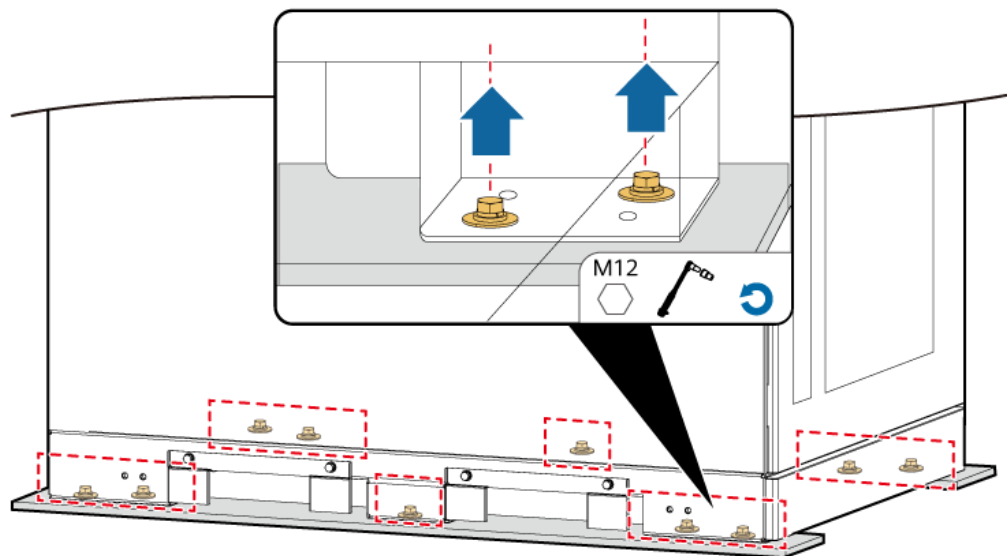
**Step 2** Unfasten the hook-and-loop fastener on the side and remove the ESS outer packaging. Take out the ESS and remove the protective film from the ESS.

**Figure 6-1** Removing outer packaging



**Step 3** Remove the bottom pallets.

**Figure 6-2** Removing pallets



**Step 4** Keep the cabinet door closed and move the ESS to the specified position.

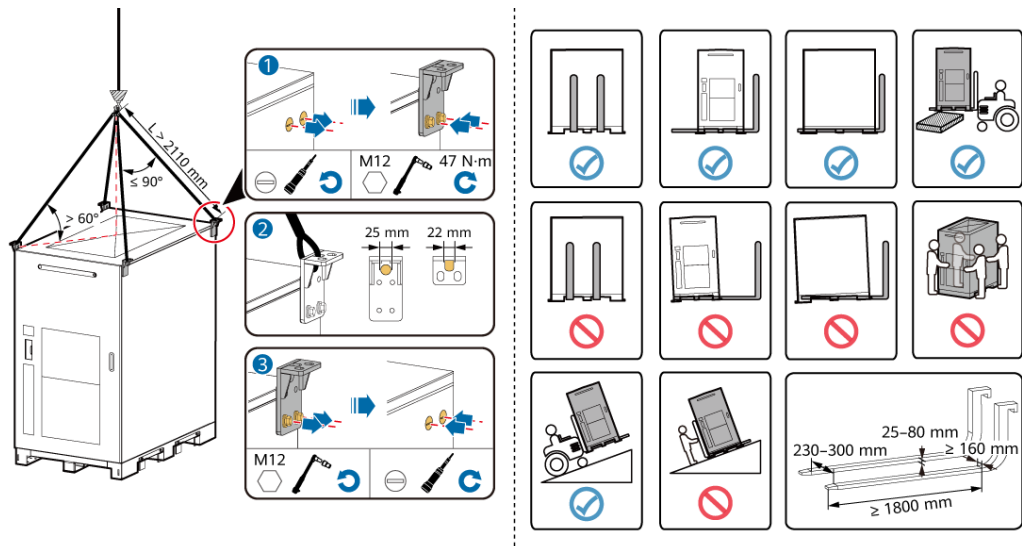
**WARNING**

- Do not use a manual pallet truck to transport the cabinet on a slope. You are advised to use a powered industrial forklift.
- When a forklift is used, bind and secure the ESS based on the site requirements to ensure there is no risk of falling.

**NOTICE**

- Crane hoisting capacity  $\geq 3$  t; operating radius  $\geq 2$  m.
- Forklift: load-bearing capacity  $\geq 3$  t; recommended tyne dimensions: length  $\geq 1800$  mm, width 230–300 mm, thickness: 25–80 mm

**Figure 6-3** Moving the ESS



**Step 5** Secure the ESS. You can use hidden screws or conversion brackets to secure the ESS.

**NOTICE**

- If the ESS is not positioned stably, use a spacer to level the ESS before securing it.
- In the multi-cabinet scenario, the distance between back-to-back cabinets shall be less than or equal to 600 mm. The securing method in [Figure 5](#) is recommended.
- When you use the securing method in [Figure 4](#), partially secure the template after drilling a hole and then continue to drill the next hole to prevent the template from moving during drilling holes.

Figure 6-4 Securing the ESS using hidden screws (recommended)

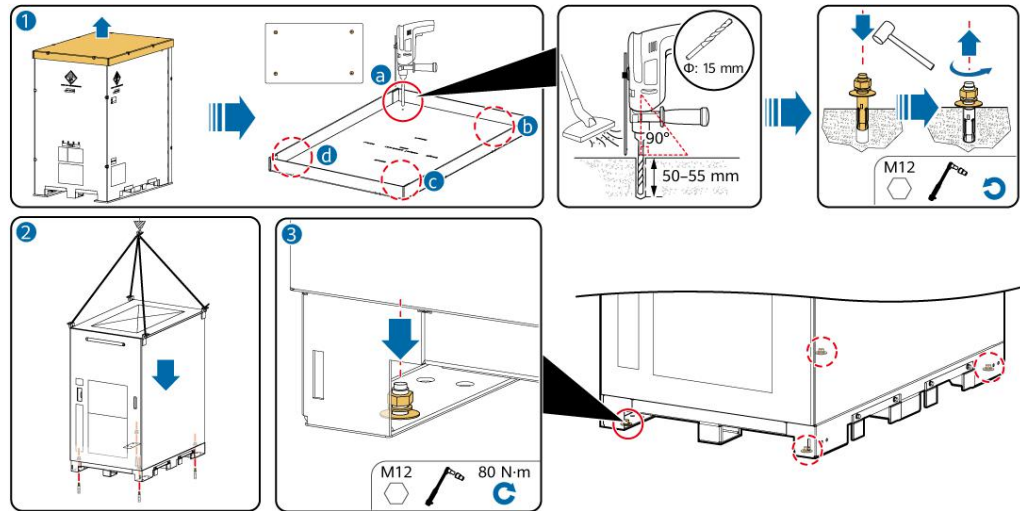
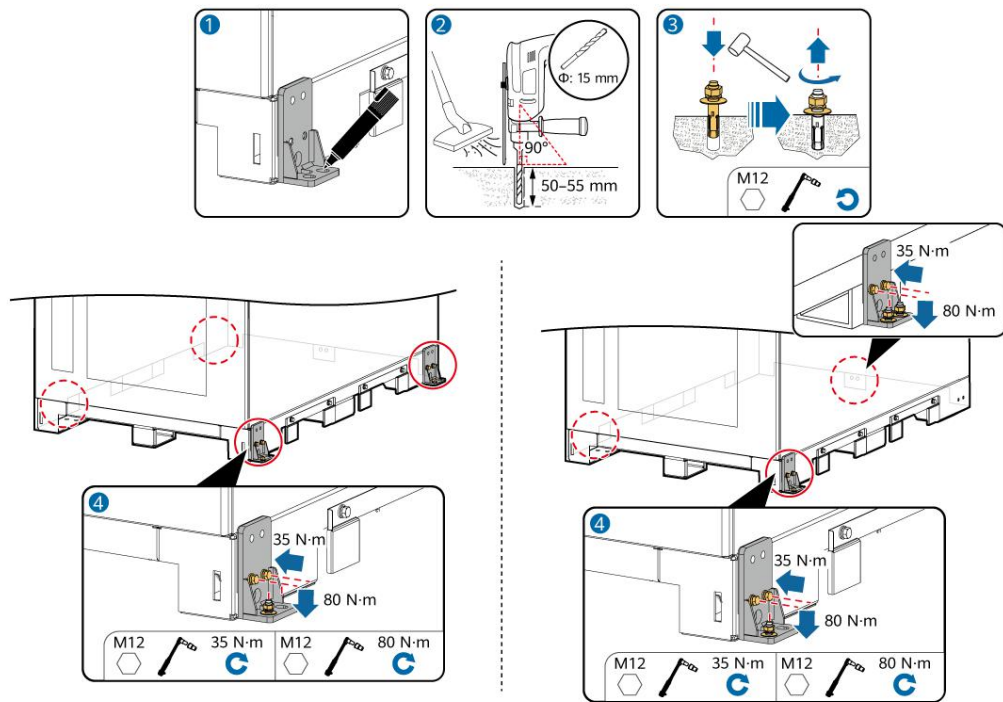


Figure 6-5 Securing the ESS using conversion brackets



----End

## 6.4 Installing Ground Cables

### Preparing Cables

Step 1 Prepare cables.



Location	Scenario	Type	Specifications	Terminal	Remarks
Outside the cabinet	Ground bar	Hot-dip zinc-coated flat steel sheet	Recommended: $\geq 40$ mm x 4 mm (depending on the onsite fault current); prepared by the customer		Use either of the two grounding methods.
	Ground cable	Single-core outdoor copper/ copper-clad aluminum/ aluminum alloy cable	Cross-sectional area: 25–50 mm <sup>2</sup> Outer diameter: 15–17.6 mm	M12 OT/DT terminal, prepared by the customer	
Inside the cabinet	Entire ESS	Three-core/ Four-core/ Five-core outdoor copper/ copper-clad aluminum/ aluminum alloy cable	Cross-sectional area: 25–50 mm <sup>2</sup> Outer diameter: 15–17.6 mm	M6 OT/DT terminal, prepared by the customer	Select a cable connection method according to the actual cable type. For details about the cable connection methods, see <a href="#">7.2 Installing PCS Power Cables</a> .

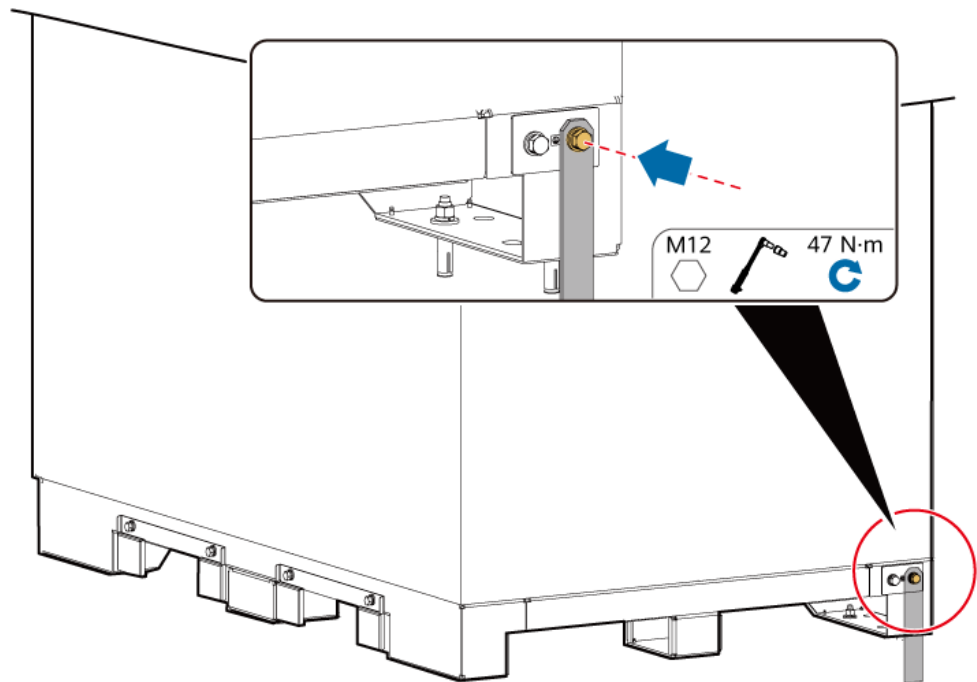
**Step 2** For details about how to crimp OT/DT terminals, see [A Crimping an OT or DT Terminal](#).

----End

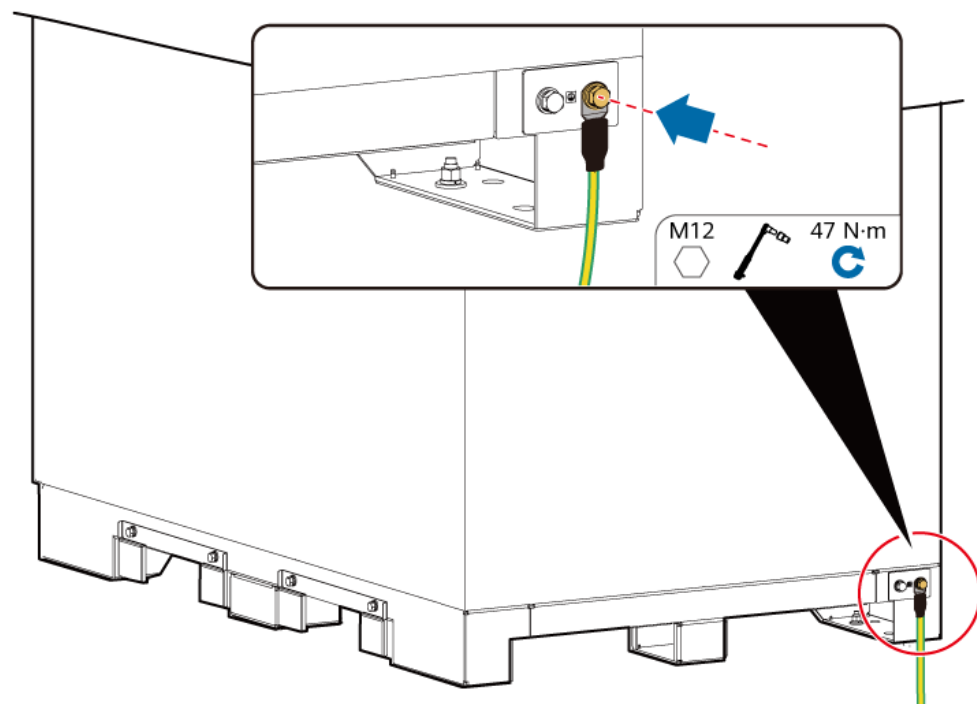
## Procedure

**Step 1** Install the ground bar or ground cable outside the cabinet and connect it to the customer's ground grid.

**Figure 6-6** Grounding outside the cabinet (flat ground bar)



**Figure 6-7** Grounding outside the cabinet (ground cable)



----End

# 7 Installing Cables

---

## DANGER

Ensure that cables are connected in correct polarities. Do not short-circuit the positive and negative terminals of a battery string, and do not short-circuit a battery pack and the RCM. Otherwise, a short circuit fault will occur.

---

---

## DANGER

- Do not smoke or have an open flame around batteries.
  - The site must be equipped with qualified fire fighting facilities, such as fire sand and carbon dioxide fire extinguishers.
  - Wear personal protective equipment and use dedicated insulated tools to avoid electric shocks or short circuits.
- 

---

## WARNING

Tighten the screws on copper bars or cables to the torque specified in this document. Periodically confirm whether the screws are tightened, check for rust, corrosion, or other foreign objects, and clean them up if any. Loose screw connections will result in excessive voltage drops and batteries may catch fire when the current is high.

---

---

## CAUTION

- When connecting cables to batteries, ensure that terminals are securely connected and cables are intact.
  - Do not connect two or more cables to the positive or negative power port of a battery in parallel.
  - Stay away from the equipment when preparing cables to prevent cable scraps from entering the equipment. Cable scraps may cause sparks and result in personal injury and equipment damage.
-

 **NOTE**

The cable colors shown in the electrical connection diagrams provided in this section are for reference only. Select cables in accordance with local cable specifications. (Green-and-yellow cables are only used for protective earthing.)

## 7.1 Preparing Cables

 **NOTE**

The cable diameter must comply with local cable standards. The factors that affect cable selection include the rated current, cable type, routing mode, ambient temperature, and maximum expected line loss.

**Step 1** Prepare cables.

Cable	Type	Cross-Sectional Area/Outer Diameter	Terminal	Source	Description
PCS power cable	Three-core/ Four-core/ Five-core outdoor copper/ copper-clad aluminum/ aluminum alloy cable	Cross-sectional area: 50–300 mm <sup>2</sup>	M12 OT/DT terminal	Prepared by the customer	-
Auxiliary power supply cable (directly from the mains)	Two-core/ Three-core outdoor copper/ copper-clad aluminum/ aluminum alloy cable	Cross-sectional area: 6–25 mm <sup>2</sup>	M6 OT/DT terminal	Prepared by the customer	The auxiliary power supply can be obtained directly from the mains or through the PCS terminal. Mains power supply is recommended because the power supply through the PCS terminal may cause unbalanced output power.

Cable	Type	Cross-Sectional Area/ Outer Diameter	Terminal	Source	Description
Auxiliary power supply cable (through the PCS terminal)	Copper cable	Cross-sectional area: 10 AWG	<ul style="list-style-type: none"> <li>The M6 OT terminal end is connected to the RCM.</li> <li>The M4 OT terminal end is connected to the PCS.</li> </ul>	Delivered with the product	
UPS AC input power cable	Two-core/ Three-core outdoor copper/ copper-clad aluminum/ aluminum alloy cable	Cross-sectional area: 6–25 mm <sup>2</sup> Outer diameter: 12.7–27 mm	M6 OT/DT terminal	Prepared by the customer	-
Network cable	CAT 5E outdoor shielded network cable, internal resistance ≤ 1.5 ohms/10 m	≤ 9 mm	Shielded RJ45 connector	Delivered with the product	-
Optical fiber cable	Four-core or eight-core single-mode armored cable with a transmission wavelength of 1310 nm	≤ 18 mm	-	Prepared by the customer	-

**Step 2** For details about how to crimp OT/DT terminals, see [A Crimping an OT or DT Terminal](#).

----End

## 7.2 Installing PCS Power Cables

### CAUTION

When connecting the PCS power cables, ensure that the cables are not damaged or disconnected. Ensure that the neutral wire is securely connected. Otherwise, AC power devices in the system may be damaged.

### NOTICE

- The screw assembly whose model is subject to the delivery shall be tightened according to the corresponding standard torque.
- Partially tighten the nuts of the PCS power cables to a torque of 5 N·m.
- You are advised to install heat shrink tubing for the wiring terminal at the crimping area of the cable conductor to ensure that the electrical clearance between the conductors is greater than 20 mm.
- Lay out the PCS power cables according to the design, route the cable to the wiring positions on the corresponding switches, and label the cables.
- After connecting the PCS power cables, ensure that the OT/DT terminals are properly fitted to and aligned with the copper bar, and that the PCS power cables point vertically downward.
- Use a socket with a depth greater than or equal to 50 mm for securing the M12 nuts of the PCS power cables.

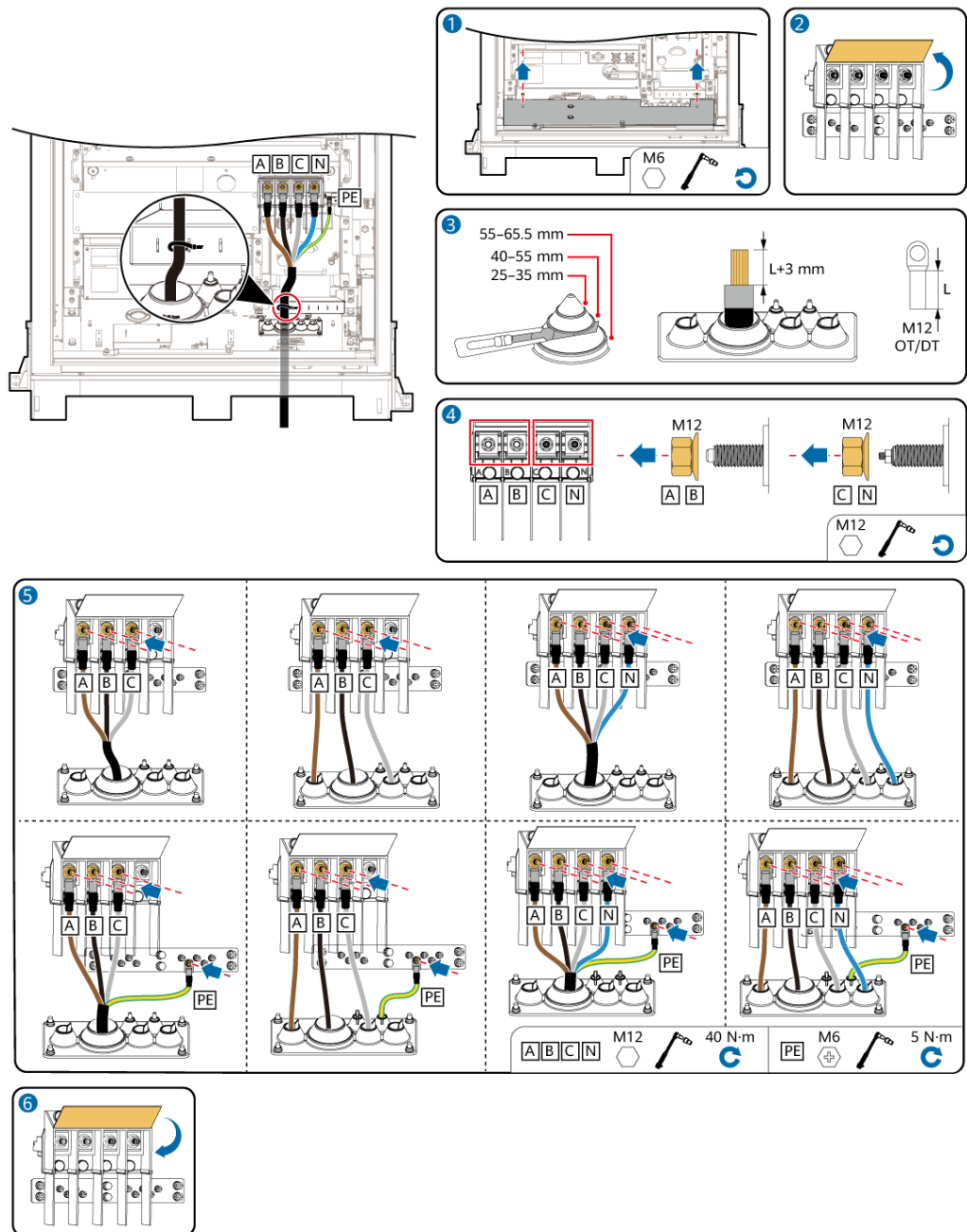
### NOTICE

1. Preinstall bolts according to the recommended torque of 27 N·m.
2. Verify that the torque of the installed bolts is 27 N·m using a torque socket wrench.
3. Mark the nuts whose torque has been verified using a marker.

**Step 1** Remove the baffle plate from the bottom of the ESS.

**Step 2** Connect the PCS power cables: Route the mains cables through the cable holes at the bottom, and connect the cables to the PCS and ground bar. Select a cable connection method as required.

Figure 7-1 Installing PCS power cables



----End

## 7.3 Installing Cables for the Auxiliary Power Supply

The ESS auxiliary power supply can be obtained directly from the mains or through the PCS terminal.

**NOTICE**

- When the auxiliary power supply is obtained through the PCS terminal, if the general power distribution switch on the customer side is turned off, the ESS auxiliary power supply will be disconnected.
- Obtain the AC auxiliary power from the mains or a reliable power supply. Do not directly obtain power from the AC side of renewable energy inverters such as PV inverters and wind power converters.

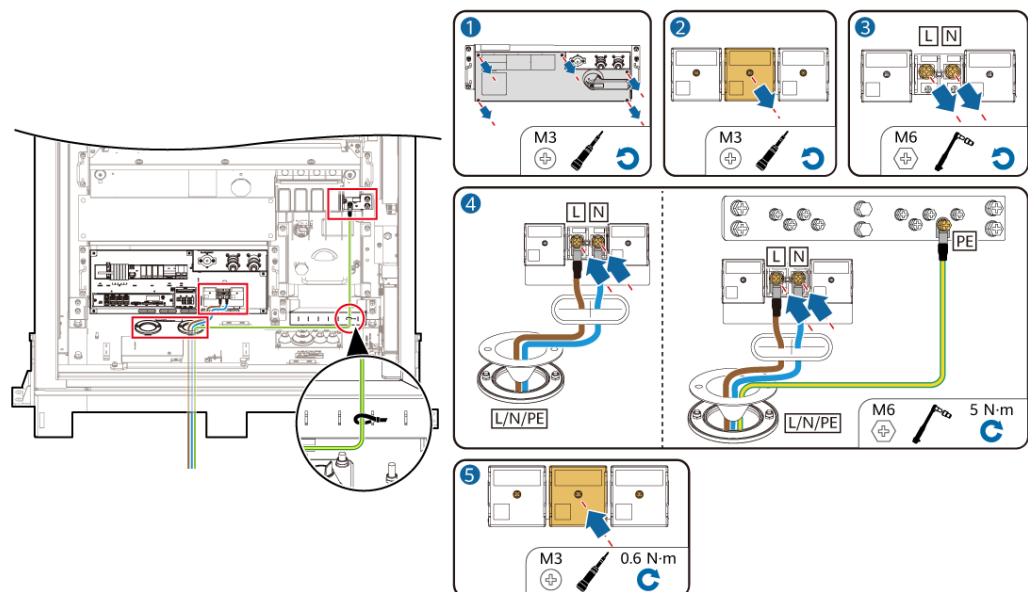
**Step 1** Remove the RCM panel.

**Step 2** Remove the mains AC input terminal cover.

**Step 3** Connect the auxiliary power supply cables:

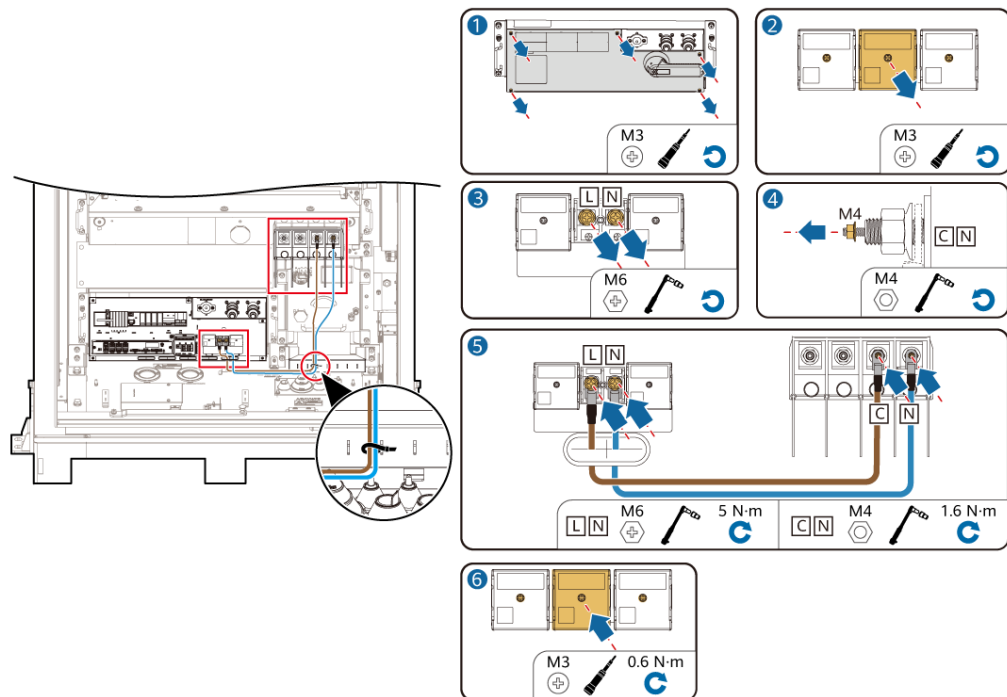
- When the auxiliary power supply is obtained directly from the mains, route the AC power cables through the cable hole at the bottom and connect the cables to the mains AC input terminal. The ESS is connected to an external power distribution cabinet.
- When the auxiliary power supply is obtained through the PCS terminal, connect the M6 OT terminal to the mains AC input terminal and the M4 OT terminal to the PCS.

**Figure 7-2** Connecting auxiliary power supply cables (directly from the mains)





**Figure 7-3** Connecting auxiliary power supply cables (through the PCS terminal)



**Step 4** Reinstall the mains AC input terminal cover.

----End

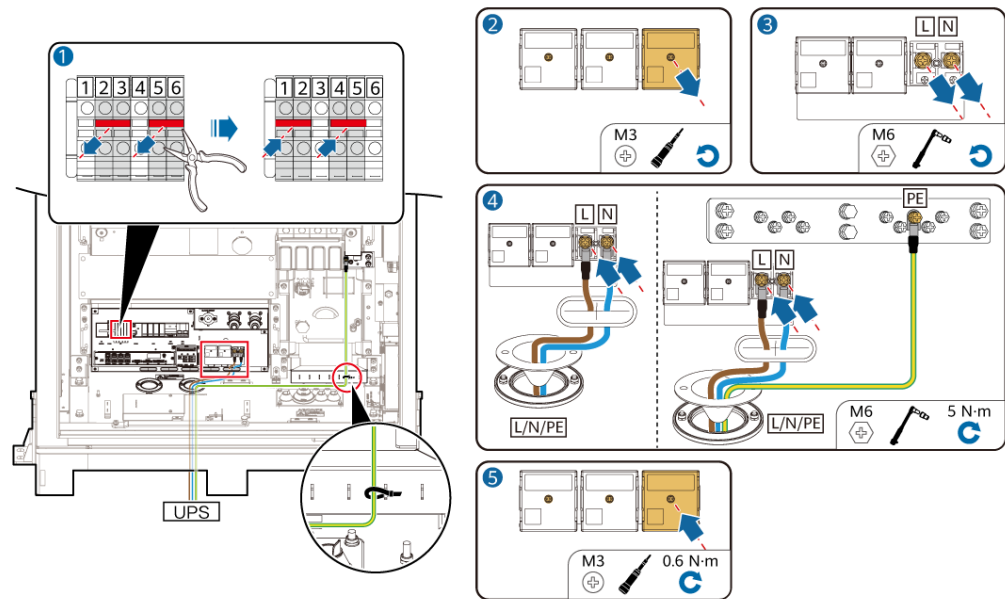
## 7.4 (Optional) Installing UPS AC Input Power Cables

### NOTICE

- In off-grid scenarios, a UPS must be configured. To connect the AC input power cables to the UPS, perform the following steps:
- Obtain the AC auxiliary power from the mains or a reliable power supply. Do not directly obtain power from the AC side of renewable energy inverters such as PV inverters and wind power converters.

**Step 1** Route the UPS AC input power cables through the cable hole and connect the cables to the UPS wiring terminals.

Figure 7-4 Connecting UPS cables



----End

## 7.5 Installing Communications Cables

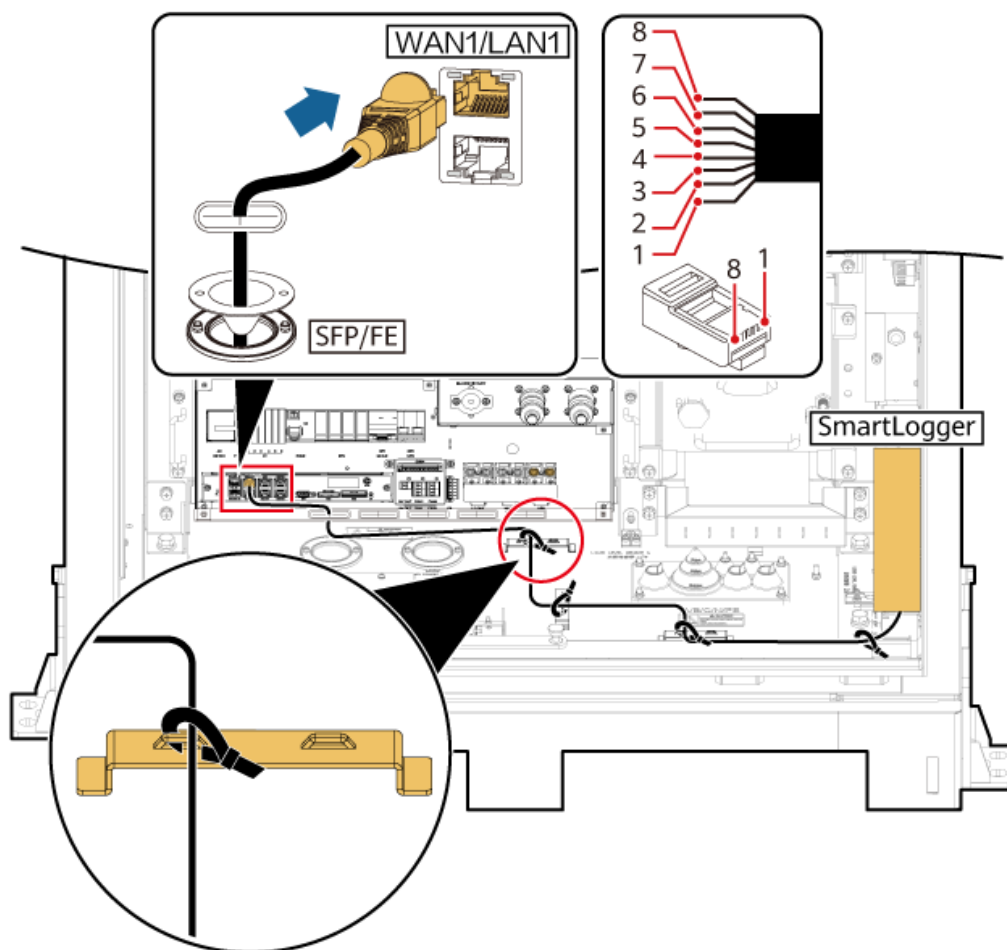
### 7.5.1 Installing an FE Communications Cable

#### NOTE

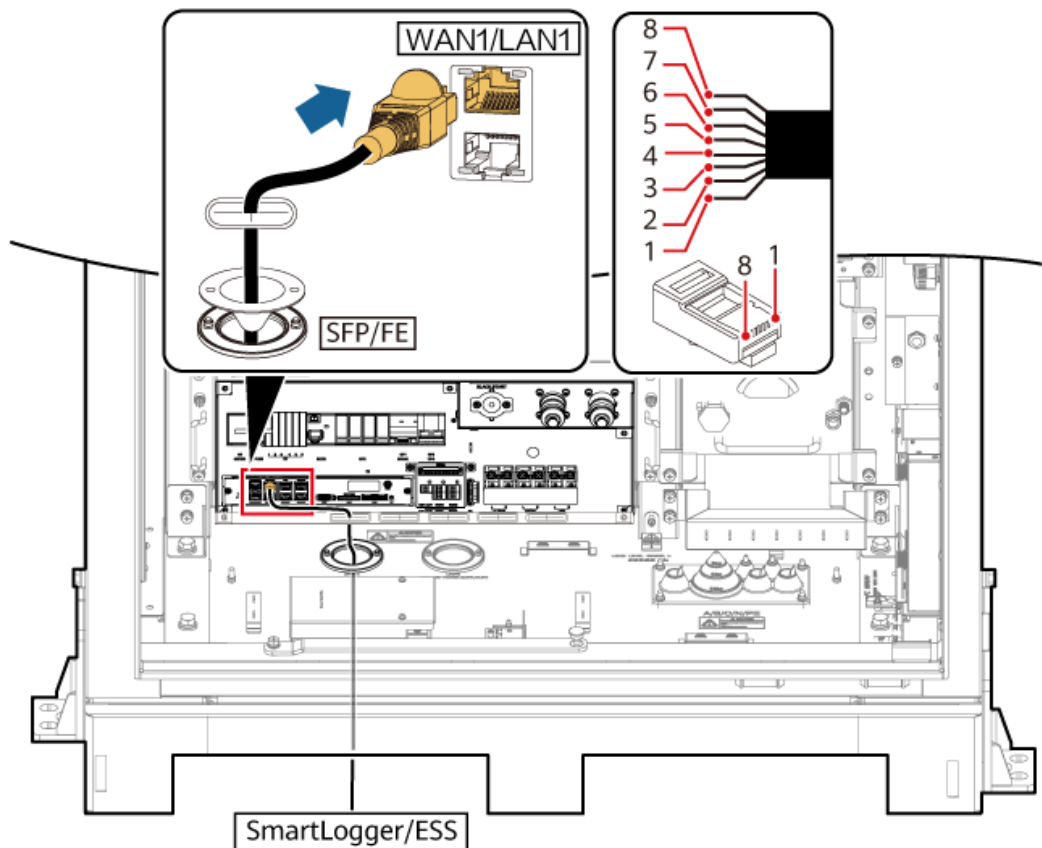
- For the SmartLogger installed inside the ESS, see [7.6 \(Optional\) Installing the SmartLogger](#).
- For the SmartLogger installed outside the ESS, see [SmartLogger3000 Quick Guide](#).

**Step 1** Connect the FE communications cable to the **WAN1/LAN1** or **WAN2/LAN2** port of the RCM.

**Figure 7-5** Connecting communications cables (for the SmartLogger installed in the ESS)



**Figure 7-6** Connecting communications cables (for the SmartLogger installed outside the ESS)



(1) White-and-orange	(2) Orange	(3) White-and-green	(4) Blue
(5) White-and-blue	(6) Green	(7) White-and-brown	(8) Brown

**Step 2** Bind the cable.

----End

## 7.5.2 Installing Optical Fiber Communications Cables

### NOTICE

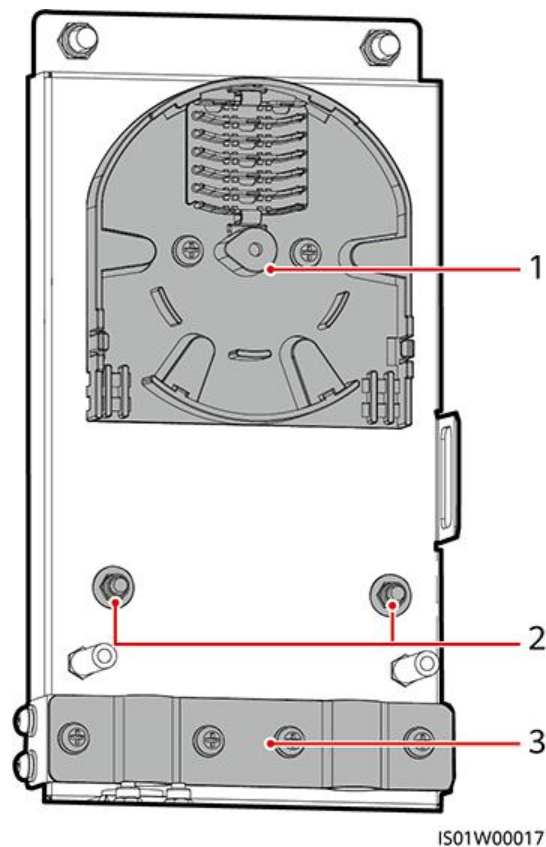
Only professionals are allowed to connect optical fiber cables and splice fibers.

### NOTE

In the optical fiber ring topology, two optical fiber cables are required.

## Context

**Figure 7-7** Access terminal box (ATB) interior



(1) Fiber spool

(2) Fixing points for internal  
steel wires of optical fiber  
cables

(3) Cable clip

## Installation Preparations

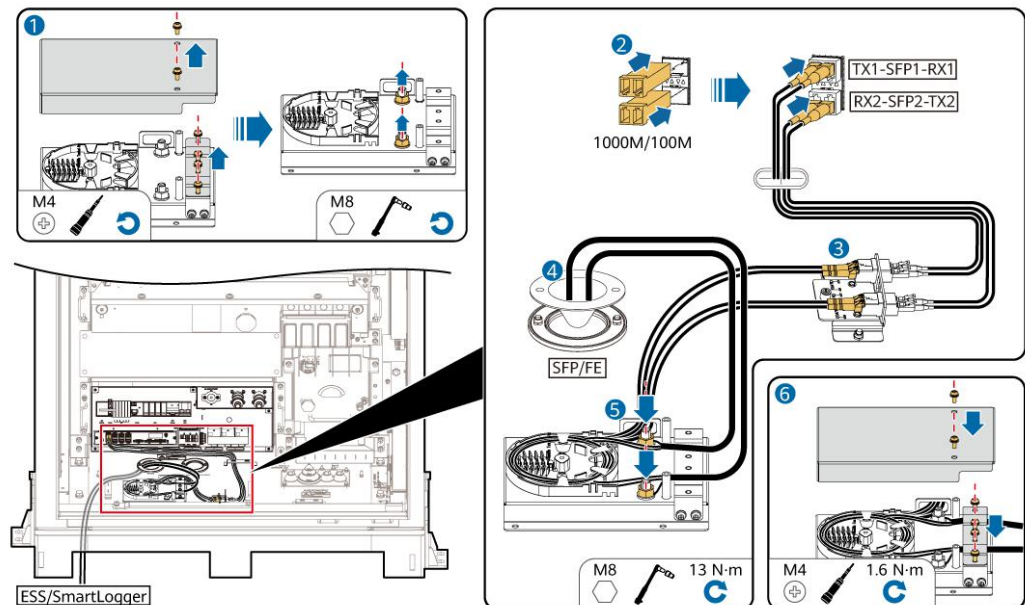
- Optical module: ordered from the Company or purchased by yourself. Choose 100M or 1000M optical modules based on the peer port of the optical switch. SFP or eSFP optical modules should be used. The transmission distance supported by the 100M optical modules should be greater than or equal to 12 km, and the transmission distance supported by the 1000M optical modules should be greater than or equal to 10 km.
- Optical jumper: Purchase the auxiliary material package.
- Adapter: Purchase the auxiliary material package.

## Procedure

- Step 1** Open the ESS bottom sealing plate and remove the external mechanical parts of the ATB.
- Step 2** Remove the optical fiber cable fastener.
- Step 3** Connect one end of the optical jumper to the fiber adapter.

- Step 4** Route the other end of the optical jumper through the cable hole on the side of the ATB, and connect the cable to the ATB.
- Step 5** Connect the peripheral optical fiber cable to the ATB, splice the optical fiber cable and the optical jumper, and then wind the spliced cable around the fiber spool on the ATB.
- Step 6** Check that the cables are connected correctly and securely. Then reinstall the optical fiber cable fastener and external mechanical parts.

**Figure 7-8** Optical fiber communications wiring diagram



----End

## 7.6 (Optional) Installing the SmartLogger

### Context

In the single-cabinet scenario, the SmartLogger can be installed in the ESS. In the combined-cabinet scenario, the SmartLogger must be installed outside the ESS and connected to the cloud maintenance platform.

This section describes how to connect cables when the SmartLogger is installed in the ESS. For details about how to install the SmartLogger, see [SmartLogger3000 Quick Guide](#).

### Installation Preparations

- SmartLogger: ordered from the Company or purchased by yourself
- SIM card: standard SIM card (size: 25 mm x 15 mm; capacity ≥ 64 KB), prepared by the customer
- (Optional) SmartLogger input power cable: delivered with the ESS
- (Optional) Network cable: delivered with the ESS

- (Optional) 4G optical fiber cable: ordered from the Company or purchased by yourself

**NOTE**

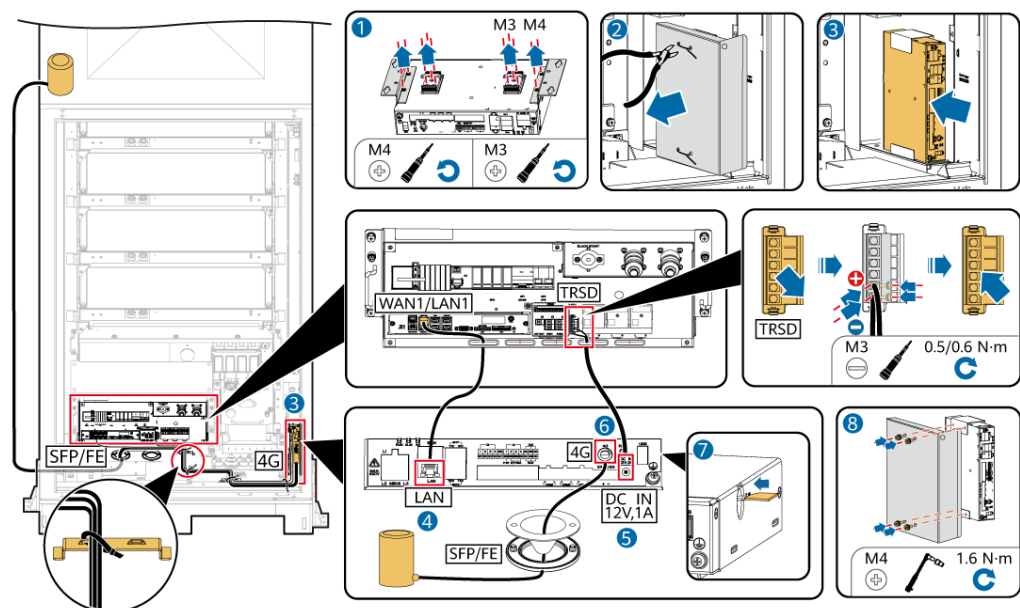
If the delivered network cables and optical fiber cables are too short, prepare cables by yourself. For details about the cable specifications, see [7.1 Preparing Cables](#).

The SmartLogger input power cable is used only when the SmartLogger is installed inside the ESS in the single ESS scenario.

## Procedure

- Step 1** Install the SmartLogger and push it into the preinstalled mounting bracket in the ESS.
- Step 2** Connect the SmartLogger power cable and communications cables in sequence.
- Step 3** (Optional) Install the 4G antenna and SIM card, and install the 4G antenna on the top of the cabinet. Perform this operation when 4G communication is used.
- Step 4** Install the external protective cover for the SmartLogger.

**Figure 7-9** Connecting the SmartLogger communications cables



----End

## 7.7 Installing PACK Cables

### NOTE

Only the BAT- terminal cable between PACK1 and the RCM needs to be installed onsite. Other cables have been preinstalled.

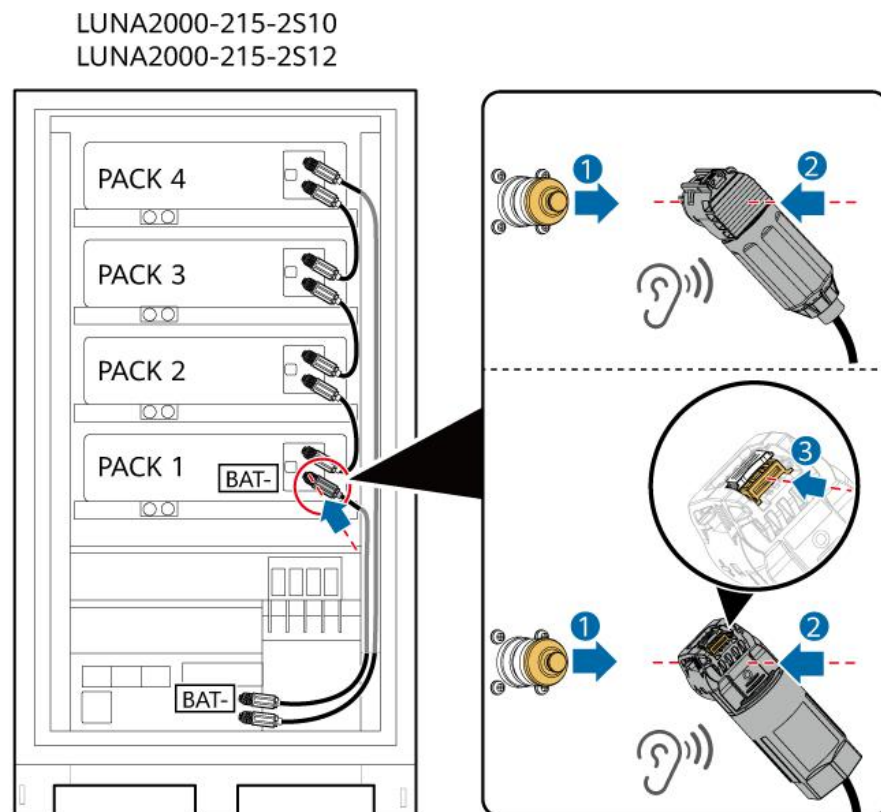
Check the following cables and ensure that they are securely connected.

- Cables between PACKs
- Cables between PACKs and other components

**Step 1** Check that the PACK cables and cables to the BAT+ and BAT- terminals of the RCM are securely connected and intact.

**Step 2** Connect the general output power cables of PACKs.

Figure 7-10 Installing PACK cables



----End



## 7.8 Follow-up Procedure

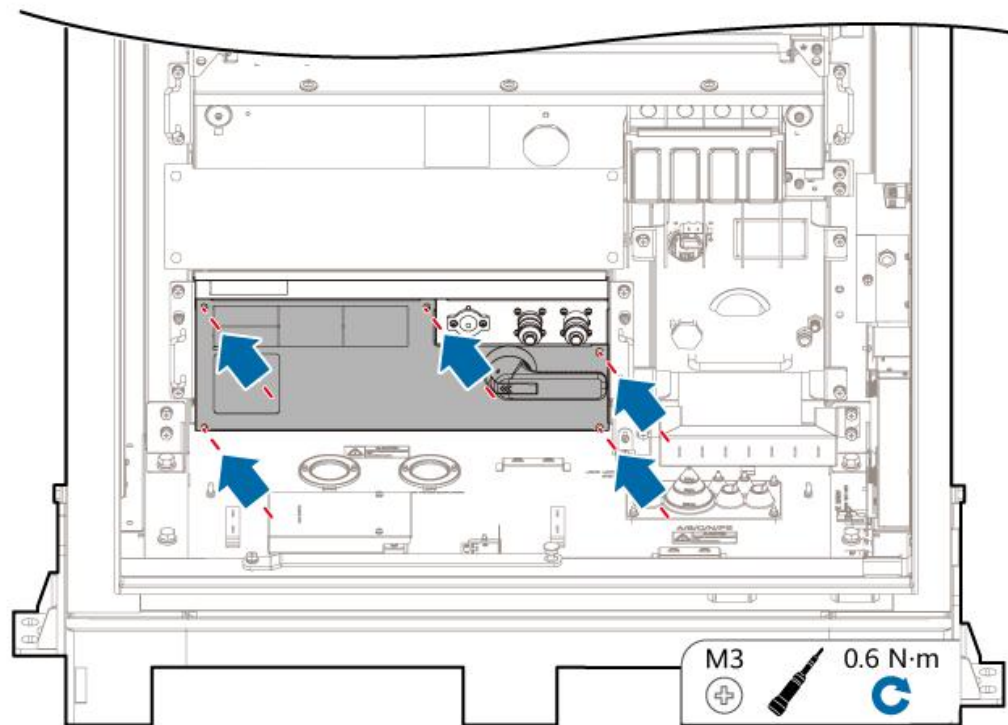
**CAUTION**

Seal the cable holes with sealing putty and ensure that there is no gap between cables.

The forklift positioning plates are used to limit the positions of the forklift tynes and prevent scratches on the ESS. The positioning plates can experience deformation and paint damage due to collision, and are removed after the ESS is installed.

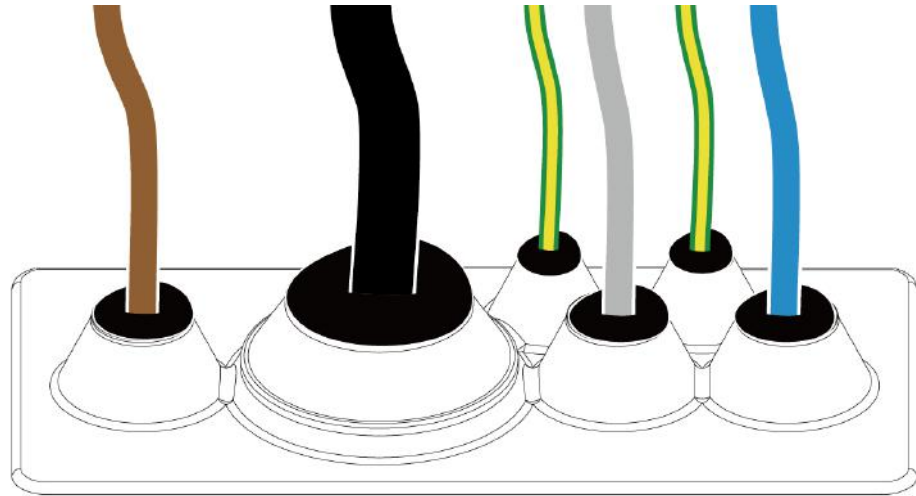
**Step 1** Install the RCM cover.

**Figure 7-11** Installing the RCM cover



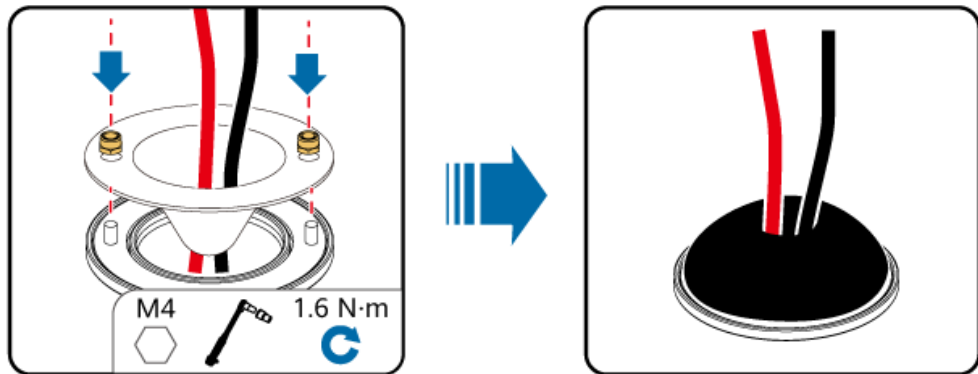
**Step 2** After cables are installed, seal the PCS cable holes using the delivered sealing putty.

**Figure 7-12** Sealing PCS cable holes



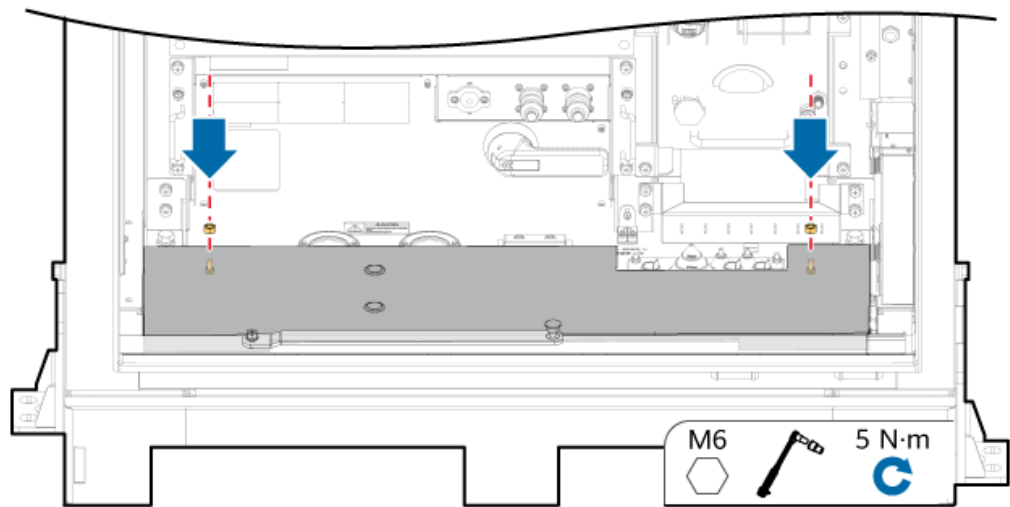
**Step 3** After cables are installed, seal the cable holes for power cables and communications cables using the delivered sealing putty.

**Figure 7-13** Sealing cable holes for power cables and communications cables



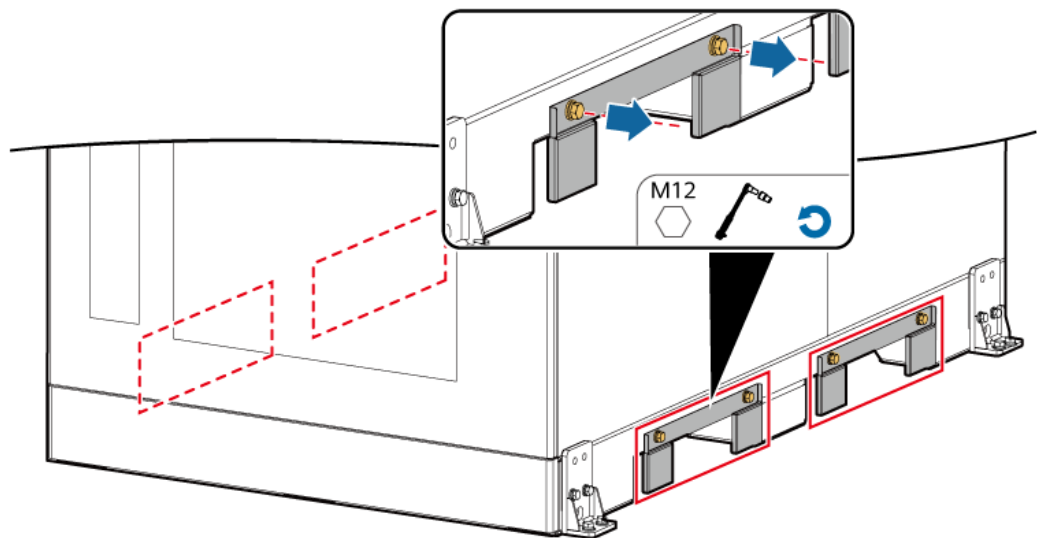
**Step 4** Reinstall the cable baffle plate.

**Figure 7-14** Installing the cable baffle plate



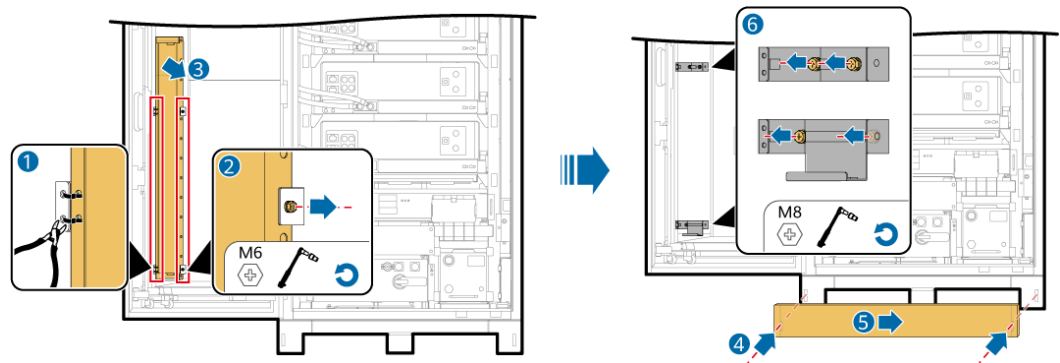
**Step 5** Remove the forklift positioning plates from the ESS.

**Figure 7-15** Removing forklift positioning plates



**Step 6** Reinstall the external bottom baffle plate for the ESS.

**Figure 7-16** Installing the external bottom baffle plate



----End

# 8 Powering On the ESS

## 8.1 Check Before Power-On

### 8.1.1 General Check

No.	Check Item	Acceptance Criteria
1	Appearance	<ul style="list-style-type: none"><li>• The equipment is intact and free from rust or paint flake-off. If the paint flakes off, repair the damaged paint.</li><li>• The labels on the device are clear. Damaged labels must be replaced.</li></ul>
2	Cable appearance	<ul style="list-style-type: none"><li>• Cable sheathings are properly wrapped and not damaged.</li><li>• Cable hoses are intact.</li></ul>
3	Cable connection	<ul style="list-style-type: none"><li>• Cables are connected in the designed positions.</li><li>• Terminals are prepared as required and securely connected.</li><li>• Labels on both ends of each cable are clear and specific, and attached in the same direction.</li></ul>
4	Cable routing	<ul style="list-style-type: none"><li>• Electrical and extra low voltage (ELV) cables are routed separately.</li><li>• Cables are neat and tidy.</li><li>• Cable tie joints are evenly cut without burrs.</li><li>• Cables are placed properly and with slack at bending points to avoid stress.</li><li>• Cables are routed neatly without twists or crossovers in the cabinets.</li></ul>
5	Switch	The RCM disconnecter is OFF. (Optional. This item applies only when there is an RCM disconnecter.)

## 8.1.2 ESS Installation Check

### Cabinet

No.	Check Item	Acceptance Criteria
1	Installation	<ul style="list-style-type: none"> <li>The installation meets the design requirements.</li> <li>The cabinet is level, and each door opens normally.</li> </ul>
2	Appearance	The cabinet surface is free from cracks, dents, and scratches. If the paint flakes off, repair the damaged paint.
3	Cabinet grounding	Ground the cabinet correctly according to the requirements of the power distribution system.
4	Accessory	The number and positions of accessories installed meet design requirements.
5	Label	All labels are correct, clear, and complete.

### Interior

No.	Check Item	Acceptance Criteria
1	Auxiliary power circuit breaker Disconnecter (optional)	The disconnecter (optional) and auxiliary power circuit breaker are off.
2	Cable	The bolts for installing the cables are tightened and the cables are not loose.
3	Cable hole sealing	Cable holes are sealed.
4	Components (PCS, RCM, BCU, TRSD, and LTMS)	All components are intact.
5	Foreign object	Foreign objects such as tools and remaining materials are cleared.
6	SPD	The SPD indicator is green.
7	Power meter	The power meter is free from cracks, dents, and damage, and its buttons are normal.
8	Power meter fuse	The fuse is intact. Check that the fuse is functioning using a multimeter.

No.	Check Item	Acceptance Criteria
9	Cabinet grounding	The ground conductor is securely connected to the ground terminal of the cabinet. For details, see <a href="#">2.5.1 Circuit Diagram</a> .
10	Torque	Use a torque tool to secure the bolts. Ensure that the torque error does not exceed 10% of the specified value.

## 8.2 Power-On Operations

---

** DANGER**

Wear insulated gloves and use insulated tools to prevent electric shocks or short circuits.

---

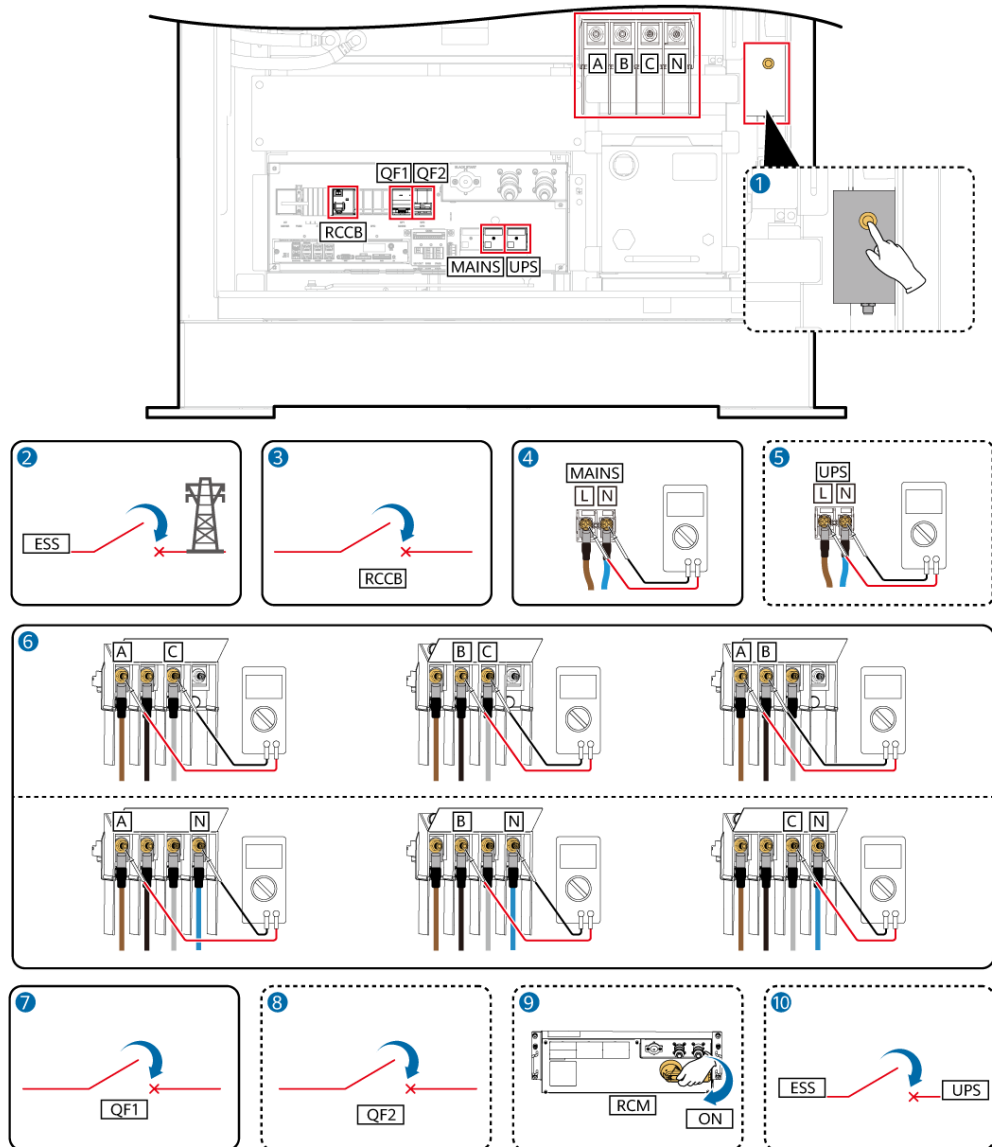
** CAUTION**

- During the power-on procedure, monitor the system for faults. If you detect any faults, power off the ESS, rectify the faults, and then continue with the procedure.
  - If batteries are fully discharged or overdischarged during system installation and commissioning, charge the batteries promptly to prevent damage due to overdischarge.
  - If the ESS has not been used for six months or longer after being installed, it must be checked and tested by professionals before operation.
  - If a circuit breaker in the ESS trips, check the corresponding load side. Turn on the circuit breaker only after you have confirmed that there is no short circuit or other fault to prevent the fault from spreading and causing safety risks. For example, if an RCCB trips, check whether the LTMS AC output wiring terminal on the RCM is short-circuited and whether the load on the corresponding line is faulty. Turn on the RCCB only after you have confirmed that there is no short circuit or other fault.
- 

** NOTE**

- Before operating switches in the RCM panel, remove the sealing plate from the RCM and reinstall it after power-on.
- Before power-on, ensure that the power cables (BAT+ and BAT-) between the PACK and the RCM are connected. For details, see [7.7 Installing PACK Cables](#).

## Procedure



**Step 1** (Optional) Press the red button on the lead-acid battery box to start the lead-acid battery.

**Step 2** Turn on the auxiliary power switch and general power distribution switch of the customer's power distribution cabinet.

### NOTE

The following table lists the recommended specifications of the general power distribution switch. Customers can select a switch whose specifications comply with local regulations based on actual application scenarios.

- Three-phase AC switch
- Rated voltage  $\geq 380$  V AC (depending on the actual power grid voltage level)
- Rated current: 250 A
- Breaking capability  $>$  Short-circuit current on the low-voltage side of the user. For example, if the rated capacity is 200 kVA and the short-circuit impedance is 4%, the short-circuit current ( $I_{sc}$ ) on the low-voltage side is about 8.357 kA.



- Step 3** Turn on the RCCB on the RCM.
- Step 4** Check that the AC voltages of the mains input terminals (MAINS), UPS input terminals (UPS), and PCS input terminals in sequence are within the normal ranges using a multimeter.
- Step 5** Turn on the mains AC input switch QF1 on the RCM.
- Step 6** (Optional) Turn on the UPS AC input switch QF2 on the RCM. This operation is required when a UPS is configured.
- Step 7** (Optional) Turn on the RCM disconnecter (hold the handle with your left hand and keep your left hand palm facing upward). This operation is required when a disconnecter is configured.
- Step 8** (Optional) Turn on the ESS power switch on the UPS side. This operation is required when a UPS is configured.
- End

# 9 ESS Commissioning

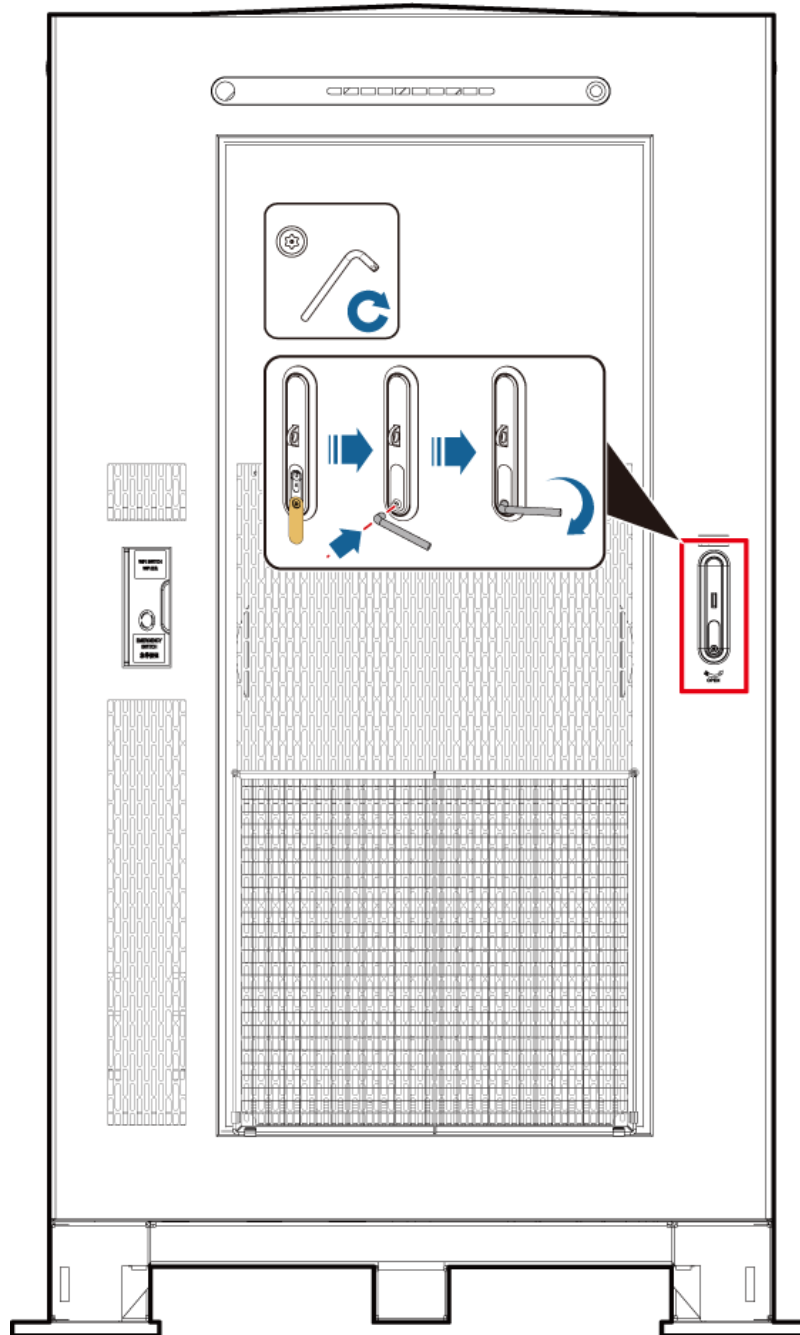
---

## 9.1 Commissioning Methods

## 9.2 Prerequisites

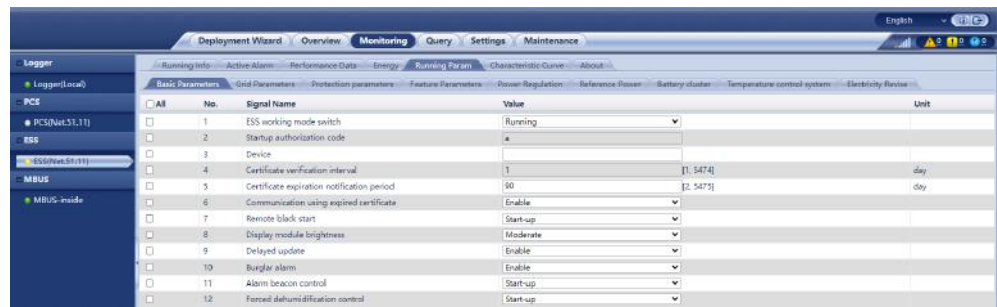
- Before deployment and commissioning, close the cabinet door.

Figure 9-1 Closing the cabinet door



- Set the startup authorization code:  
Choose **Monitoring > ESS > Running Param > Basic Parameters**, and set the ESS startup authorization code. Otherwise, the ESS cannot be started. To apply for a startup authorization code, contact the device vendor or its authorized supervision service provider.

Figure 9-2 Setting the startup authorization code



## 9.3 Commissioning the ESS (App)

For details about how to commission the ESS on the app, see [FusionSolar App Quick Guide \(SmartLogger\)](#).

# 10 Powering Off the ESS


---

## 10.1 Powering Off the ESS

### Prerequisites

The system has connected to the grid and is running properly.

### Procedure

- Step 1** Log in to the SmartLogger WebUI, choose **Maintenance > Connect Device**, and click .
- Step 2** Choose **Overview > Active Alarms** to view system alarms generated after the shutdown. If any alarm is generated, handle the alarm according to the alarm handling suggestions.
- Step 3** Click **Monitoring**, view the device status, and ensure that the shutdown is successful.

----End

## 10.2 Power-Off Operations

Perform power-off by following the steps of [8.2 Power-On Operations](#) in the reverse order.

# 11 Technical Specifications

Item	LUNA2000-215-2S10	LUNA2000-215-2S12
Nominal energy of a battery rack	215.0 kWh	
Nominal capacity of a battery rack	280.0 Ah	
Rated charge and discharge rate of a battery rack	0.5CP	
Rated voltage of a battery rack	768 V	
Voltage range of a battery rack	648–864 V	
Maximum current of a battery rack	220.5 A	
Battery pack model	LUNA2000-54-2E1	
Battery rack configuration	(1P60S)4S	
Intra-battery rack balancing mode	Battery pack-level active balancing	
Intra-battery pack balancing mode	Passive cell balancing	
PCS model	PCS2000-108K-MB1	
Three-phase three-wire or three-phase four-wire	Supported	
Rated mains voltage	380 V/400 V/415 V	380 V/400 V
DCAC configuration	1	

Item	LUNA2000-215-2S10	LUNA2000-215-2S12
Rated charge and discharge current of the system	164.1 A @ 380 V AC 155.9 A @ 400 V AC 150.3 A @ 415 V AC	164.1 A @ 380 V AC 155.9 A @ 400 V AC
Rated charge and discharge current of the system (1.1 times overload)	180.5 A @ 380 V AC 171.5 A @ 400 V AC 165.3 A @ 415 V AC	180.5 A @ 380 V AC 171.5 A @ 400 V AC
Rated charge and discharge current of the system (1.2 times overload)	197.0 A @ 380 V AC (1 min) 187.1 A @ 400 V AC (1 min) 180.4 A @ 415 V AC (1 min)	197.0 A @ 380 V AC (1 min) 187.1 A @ 400 V AC (1 min)
Rated charge and discharge current of the system (1.3 times overload)	213.4 A @ 380 V AC (5s) 202.7 A @ 400 V AC (5s) 195.4 A @ 415 V AC (5s)	213.4 A @ 380 V AC (5s) 202.7 A @ 400 V AC (5s)
Maximum charge and discharge current of the system	221.1 A	
Rated power	108 kW	
Battery temperature control mode	Liquid cooling	
Rated cooling capacity of the LTMS	7.5 kW	
LTMS model	LunaTMS2000-H008SG00	
LTMS quantity	1	
Rated operating pressure	0.15 MPa	
Maximum operating pressure	0.2 MPa	
Dimensions (W x D x H)	1150 mm x 1800 mm x 2100 mm	
Weight	≤ 2.8 t	
IP rating	IP55	
Operating temperature range	-30°C to +55°C (derated above 50°C)	

Item	LUNA2000-215-2S10	LUNA2000-215-2S12
Storage temperature range	-35°C to +60°C	
Operating humidity range	0-100% RH (non-condensing)	
Surge protection	Type II (AC port)	
Electromagnetic compatibility (EMC)	Class B	
Noise limit (rated working conditions)	65 dB	
Maximum operating altitude	4000 m	
Auxiliary UPS power supply	176-300 V AC, 500 W	
Auxiliary mains power supply	176-300 V AC, single-phase, dual-live wire, ≤ 5 kVA	
Standby loss	138.0 W	
System communications port	Ethernet/Optical fiber (optional)	
System communications protocol	Modbus TCP	
Environmental protection requirement	RoHS 6	
Cycle efficiency (ambient temperature: 25°C; power grid: 400 V AC)	89.5%	
Standards compliance	GB/T 36276, IEC 62619, IEC 62477-1, etc.	



# A Crimping an OT or DT Terminal

---

## Requirements on an OT or DT Terminal

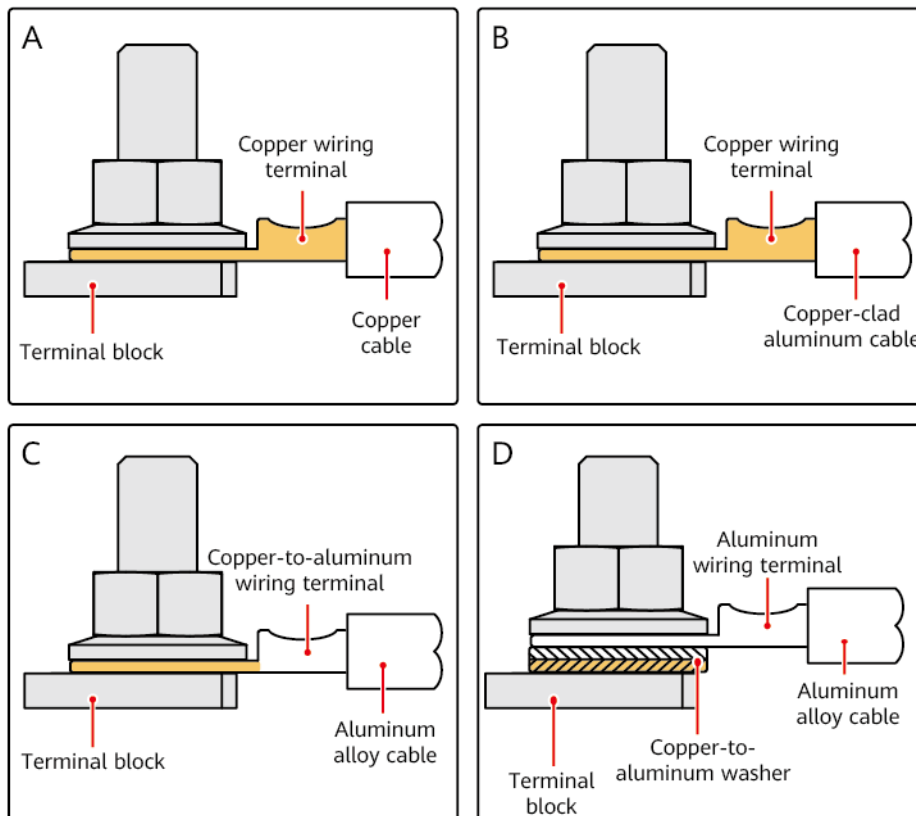
- If a copper cable is used, use copper wiring terminals.
- If a copper-clad aluminum cable is used, use copper wiring terminals.
- If an aluminum alloy cable is used, use copper-to-aluminum wiring terminals, or aluminum wiring terminals along with copper-to-aluminum washers.

---

### NOTICE

- Do not connect aluminum wiring terminals to the terminal block. Otherwise electrochemical corrosion may occur, affecting the reliability of cable connections.
  - Comply with the IEC 61238-1 requirements when using copper-to-aluminum wiring terminals, or aluminum wiring terminals along with copper-to-aluminum washers.
  - Do not mix up the aluminum and copper sides of a copper-to-aluminum washer. The outer contour of the washer shall not be smaller than that of the OT/DT terminal. Ensure that the aluminum side of the washer contacts the aluminum wiring terminal, and that the copper side contacts the terminal block. It is recommended that washers and terminals be purchased from the same vendor.
-

Figure A-1 Requirements on an OT or DT terminal

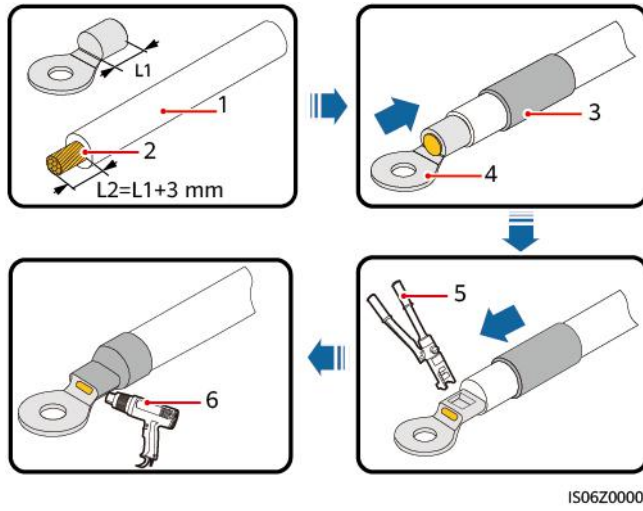


## Crimping an OT or DT Terminal

### NOTICE

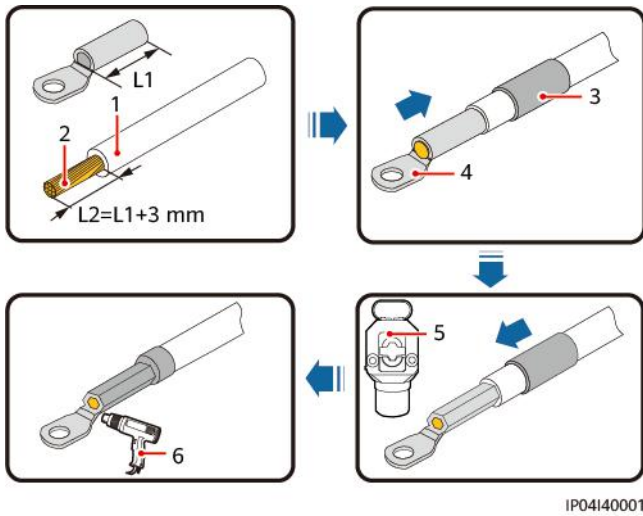
- Avoid scratching the core wire when stripping a cable.
- The cavity formed after the conductor crimp strip of the OT or DT terminal has been crimped must wrap around the core wire completely. The core wire must make close contact with the OT or DT terminal.
- Wrap the wire crimping area with heat shrink tubing or insulation tape. The heat shrink tubing is used as an example.
- Use a heat gun carefully to avoid heat damage to the equipment.

Figure A-2 Crimping an OT terminal



- (1) Cable
- (2) Core wire
- (3) Heat shrink tubing
- (4) OT terminal
- (5) Hydraulic pliers
- (6) Heat gun

Figure A-3 Crimping a DT terminal



- (1) Cable
- (2) Core wire
- (3) Heat shrink tubing
- (4) DT terminal
- (5) Hydraulic pliers
- (6) Heat gun

# B How Do I Repair Paint Damage?

---

## Prerequisites

- Do not apply paint in bad weather, such as rain, snow, strong wind, and sandstorm, when there is no shelter outdoors.
- You have prepared the required paint that matches the color palette delivered with equipment.

## Paint Repair Description

The equipment appearance should be intact. If paint has flaked off, repair paint damage immediately.

### NOTE

Check the paint damage on the equipment and prepare appropriate tools and materials. The number of materials depends on site requirements.

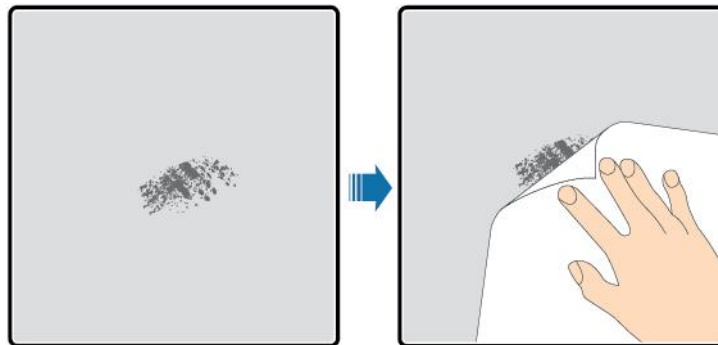
**Table B-1** Paint repair description

Paint Damage	Tool and Material	Procedure	Description
Slight scratch (steel base material not exposed)	Spray paint or paint, brush (required for repainting a small area), fine sandpaper, anhydrous alcohol, cotton cloth, and paint spray gun (required for repainting a large area)	Steps 1, 2, 4, and 5	<ol style="list-style-type: none"> <li>For a few scratches, smudges, or rust, manual paint spraying or brushing is recommended.</li> <li>For many scratches or large-area smudges and rusts, use a paint spray gun.</li> </ol>
Smudges and rust that cannot be removed			
Deep scratch (primer damaged, steel base material exposed)	Spray paint or paint, zinc-rich primer, brush (required for repainting a small area), fine sandpaper, anhydrous alcohol, cotton cloth, paint spray gun (required for repainting a large area)	Steps 1, 2, 3, 4, and 5	<ol style="list-style-type: none"> <li>The paint coating should be thin and even. Paint drops are prohibited on the coating. The surface should be smooth.</li> </ol>
Logo and pattern damage	If a logo or pattern is damaged, provide the logo size and color number. Seek help from a local supplier of advertisement coatings to formulate a repair solution based on the logo size, color, and damage.		<ol style="list-style-type: none"> <li>Leave the repainted area for approximately 30 minutes before performing any further operation.</li> </ol>
Dent	<ol style="list-style-type: none"> <li>If a dent is less than or equal to 100 mm<sup>2</sup> in area and less than 3 mm in depth, fill the dent with Poly-Putty base and then perform the same operations as those for processing deep scratches.</li> <li>If a dent is greater than 100 mm<sup>2</sup> in area or greater than 3 mm in depth, ask the local supplier for an appropriate repainting solution.</li> </ol>		

## Procedure

**Step 1** Gently polish damaged areas using fine sandpaper to remove smudges or rust.

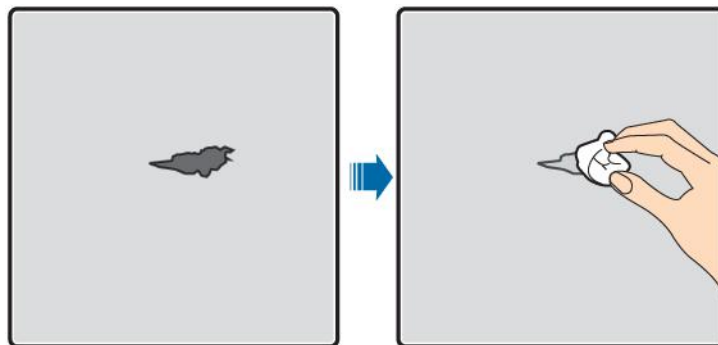
**Figure B-1** Polishing a damaged area using sandpaper



DM97000001

- Step 2** Dip a piece of cotton cloth into anhydrous alcohol and wipe the polished or damaged area to remove the dirt and dust. Then wipe off the anhydrous alcohol with a clean and dry cotton cloth

**Figure B-2** Wiping a polished or damaged area using anhydrous alcohol



DD00000012

- Step 3** Paint zinc-rich primer on the damaged coat using a brush or paint spray gun.

---

**NOTICE**

- If the base material is exposed in the area to be repaired, apply epoxy zinc-rich primer, wait until the paint has dried, and then apply acrylic acid top coat.
- Select epoxy zinc-rich primer or acrylic acid top coat with a color the same as the surface coating color of the equipment.

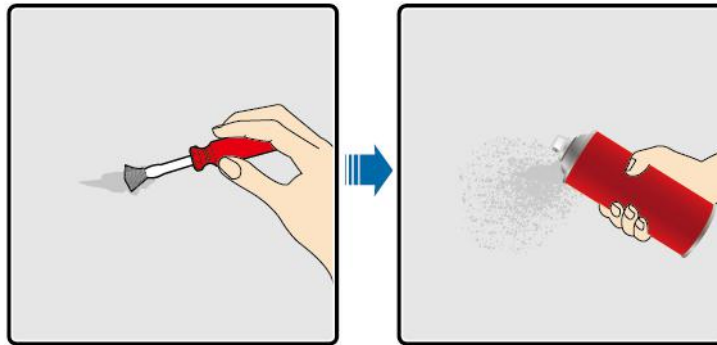
- Step 4** Apply paint evenly to the damaged area based on the damage degree of the paint using an aerosol spray, brush, or paint spray gun until all damage traces are invisible.

---

**NOTICE**

- Ensure that the painting is thin, even, and smooth.
- In the case that an equipment pattern has different colors, to prevent undamaged areas and those with different colors as the damaged area from being contaminated during repainting, cover such areas using white paper and adhesive tape before repairing paint.

**Figure B-3** Repainting a damaged area



DD0000013

**Step 5** Wait for 30 minutes and check whether the painting meets the requirements.

**NOTE**

- The color of the repainted area must be consistent with that of the surrounding area. Use a colorimeter to measure the color difference, which should be less than or equal to 3 ( $\Delta E \leq 3$ ). If a colorimeter is unavailable, ensure that there is no visible edge between the repainted area and the surrounding area. The paint should be free of bulges, scratches, flaking, or cracks.
- If you choose to spray paint, it is recommended that you spray paint three times before checking the result. If the color does not meet the requirements, paint more times until the painting meets the requirements.

----End

## Paint Supply Information

**Table B-2** Paint requirements

Item	Requirement
Primer thickness	60 $\mu\text{m}$
Intermediate coat thickness	120 $\mu\text{m}$
Top coat thickness	60 $\mu\text{m}$
Primer type	Epoxy zinc-rich paint
Intermediate coat type	Zinc-rich paint
Color number of the top coat	Obtain the color number based on the color palette delivered with the product.

**NOTE**

The following is a paint model list provided by the Company. The list may be updated from time to time and is for reference only. The cost of paint and technical services is subject to the local pricing standards.

Supplier	Position	Paint Model
Hempel	Equipment surface painting	Zinc-rich primer for pretreatment: HEMPADUR ZINC (shopprimer) 1536C/19830  Zinc-rich primer for the entire container: HEMPADUR ZINC (on line) 1536C/19830  Intermediate coat: HEMPADUR FAST DRY 15560/12170  Top coat: HEMPATHANE 55210/17630 (RAL9003)
	Logo	Red: HEMPATHANE 55210/57200 (RAL3020)  Black: HEMPATHANE 55210-19990 (RAL9005)
CMP	Equipment surface painting	Zinc-rich primer for pretreatment: EPICON ZINC SC B-2 M (SHOP PRIMER)  Zinc-rich primer for the entire container: EPICON ZINC SC B-2 M (ON LINE ZINC)  Intermediate coat: EPICON SC PRIMER GREY CSC-9107  Top coat: UNYMARINE SC FINISH WHITE CSC-9205 (RAL-9003)
	Logo	Red: UNYMARINE SC MARKING RAL-3020  Black: UNYMARINE SC MARKING RAL-9005



# C Emergency Handling

---

If an accident (including but not limited to the following) occurs on the site, ensure the safety of onsite personnel first and contact the Company's service engineers.

## Battery Falling or Strong Impact

- If a battery has obvious damage or abnormal odor, smoke, or fire occurs, evacuate the personnel immediately, call emergency services, and contact the professionals. The professionals shall use fire extinguishing facilities to extinguish the fire under safety protection.
- If the appearance is not deformed or damaged, and there is no obvious abnormal odor, smoke, or fire, ensure safety and perform the following operations:
  - Warehouse: Evacuate personnel, transfer the battery to an open and safe place by professionals using mechanical tools, and contact the Company's service engineers. Leave the battery for an hour and ensure that the battery temperature is within the room temperature range (tolerance:  $\pm 10^{\circ}\text{C}$ ) before handling.
  - ESS onsite: Evacuate personnel, close the doors of the ESS, transfer the battery to an open and safe place by professionals using mechanical tools, and contact the Company's service engineers. Leave the battery for an hour before handling.

## Flood

- Power off the system if it is safe to do so.
- If any part of the batteries is submerged in water, do not touch the batteries to avoid electric shock.
- Do not use batteries that have been soaked in water. Contact a battery recycling company for disposal.

## Fire

---

** DANGER**

- If a fire occurs, power off the system if it is safe to do so.
  - Extinguish the fire with carbon dioxide, FM-200 or ABC dry powder fire extinguishers.
  - Ask firefighters to avoid contact with high-voltage components during fire fighting to prevent the risk of electric shock.
  - Overheating may cause battery deformation, faults, and leakage of corrosive electrolytes or toxic gases. Use respiratory protective equipment and keep a safe distance from the batteries to prevent skin irritation and chemical burns.
- 

## Fire Alarm Horn/Strobe

When the alarm indicator on the equipment blinks or buzzes:

- Do not approach.
- Do not open the door.
- Stay away immediately.
- Cut off the power supply remotely only when your safety is guaranteed.

## Gas Exhaust

- Onsite personal protection: Do not directly face the exhaust vents.
- Post-disaster product maintenance: Contact the Company's service engineers for evaluation.

## Coolant Leakage

1. If the system is running, power it off while ensuring safety.
2. Check for possible leakage points, especially the joints of liquid cooling pipes, bends of moving pipes, connectors of exhaust valves on the top, and connecting points of two-way stop valves.
3. Replace the components (PACK, PCS, LTMS, or liquid cooling pipes) at the leakage points.
4. Check whether any coolant contacts the RCM. If yes, replace the RCM promptly.
5. After the fault is rectified, clean the system, power on the system again, and check whether the system is normal. If any exception occurs, contact the Company's service engineers.

## Extinguishant Release or Fire

- Suggestions for onsite O&M personnel:
  - a. When a fire occurs, evacuate from the building or equipment area, press the fire alarm bell, and immediately call the fire emergency service. Notify the professional firefighters and provide them with relevant

- product information, including but not limited to battery pack types, ESS capacity, and battery pack location and distribution.
- b. Do not enter the affected building or equipment area under any circumstances, and do not open the doors of the ESS. Isolate and monitor the site. Keep irrelevant personnel away from the site.
  - c. After calling the fire emergency service, remotely power off the system while ensuring your own safety.
  - d. After professional firefighters arrive, provide relevant product information, including but not limited to battery pack types, ESS capacity, battery pack location and distribution, and user manuals.
  - e. After the fire is extinguished, the site must be handled by professionals in accordance with local laws and regulations. Do not open the doors of the ESS without permission.
  - f. Post-disaster product maintenance: Contact the Company's service engineers for evaluation.
- Suggestions for professional firefighters:
    - a. For product information, see the information provided by O&M personnel, including but not limited to battery pack types, ESS capacity, battery pack location and distribution, and user manuals.
    - b. Do not open the doors of the ESS before it is deemed safe by professionals.
    - c. Follow local fire fighting regulations.
    - d. When a fire occurs, prevent the fire from spreading to nearby ESSs.

# D How Do I Recycle Used Batteries?

---

---

## NOTICE

- The Company does not recycle batteries. Contact local recycling agencies to handle batteries.
  - If there are no such agencies in your area, you can contact the nearest foreign recycling agencies.
- 

**Step 1** Contact the nearest recycling agencies.

**Step 2** Recycling agencies assess the costs.

**Step 3** Recycling agencies carry out recycling, which can be done in two ways:

- Onsite recycling: Recycling agencies can visit your sites to recycle lithium batteries, but the price depends on actual conditions such as the distance and transportation expenses.
- Centralized recycling: You can collect all lithium batteries to be recycled in one place for the recycling agencies to handle.

## NOTE

You need to cover the related transportation expenses.

**Step 4** Recycling agencies handle recycling. The recycled lithium batteries are at the disposal of the recycling agencies.

----End

# E Certificate Management and Maintenance

---

## Preconfigured Certificate Risk Disclaimer

The Huawei-issued certificates preconfigured on Huawei devices during manufacturing are mandatory identity credentials for Huawei devices. The disclaimer statements for using the certificates are as follows:

1. Preconfigured Huawei-issued certificates are used only in the deployment phase, for establishing initial security channels between devices and the customer's network. Huawei does not promise or guarantee the security of preconfigured certificates.
2. The customer shall bear consequences of all security risks and security incidents arising from using preconfigured Huawei-issued certificates as service certificates.
3. A preconfigured Huawei-issued certificate is valid from the manufacturing date until December, 2099.
4. Services using a preconfigured Huawei-issued certificate will be interrupted when the certificate expires.
5. It is recommended that customers deploy a PKI system to issue certificates for devices and software on the live network and manage the lifecycle of the certificates. To ensure security, certificates with short validity periods are recommended.

### Application Scenarios of Preconfigured Certificates

Component to Which the Certificate Belongs	Usage	Scenario	Description
BCU	Modbus-TCP northbound communication certificate	Authenticates the validity of the BCU when the BCU communicates with the SACU through Modbus-TCP.	For details about how to replace a certificate, obtain the release documentation of the corresponding product and choose the corresponding security maintenance manual in the contents on the left.
	App communication certificate	Authenticates the validity of the BCU when the mobile app communicates with the BCU through Modbus-TCP.	
	Southbound communication certificate	Authenticates the validity of the BCU when the LCC communicates with the BCU.	
LCC	Northbound communication certificate	Authenticates the validity of the LCC when the LCC communicates with the BCU.	

# F Contact Information

---

If you have any questions about this product, please contact us.



<https://digitalpower.huawei.com>

Path: **About Us > Contact Us > Service Hotlines**

To ensure faster and better services, we kindly request your assistance in providing the following information:

- Model
- Serial number (SN)
- Software version
- Alarm ID or name
- Brief description of the fault symptom

 **NOTE**

EU Representative Information: Huawei Technologies Hungary Kft.  
Add.: HU-1133 Budapest, Váci út 116-118., 1. Building, 6. floor.  
Email: hungary.reception@huawei.com



# **G** Digital Power Customer Service

---



<https://digitalpower.huawei.com/robotchat/>

---

# H Acronyms and Abbreviations

---

## A

**APP** application

## B

**BMU** Battery Monitoring Unit

**BCU** Battery Rack Controller  
Unit

## E

**ESS** energy storage system

## D

**DC** direct current

## F

**FE** fast Ethernet

## L

**LAN** local area network

<b>LCC</b>	Liquid Cooling Controller
<b>LED</b>	light-emitting diode
<b>LTMS</b>	Liquid Thermal Management System
<b>P</b>	
<b>PACK</b>	battery pack
<b>PCS</b>	Power Converter System
<b>R</b>	
<b>RCM</b>	Rack Control Module
<b>RST</b>	reset
<b>S</b>	
<b>SFP</b>	small form-factor pluggable
<b>SIM</b>	subscriber identity module
<b>SN</b>	serial number
<b>SOC</b>	state of charge
<b>T</b>	
<b>TRSD</b>	Thermal Runaway Suppression Device
<b>U</b>	
<b>UPS</b>	uninterruptible power system

**W**

**WAN**                      wide area network